

Angle Sensor

GMR Angle Sensor

TLE5009A16D

Data Sheet

Version 1.0, 2016-06

Sense & Control

Edition 2016-06

**Published by
Infineon Technologies AG
81726 Munich, Germany**

**© 2016 Infineon Technologies AG
All Rights Reserved.**

Legal Disclaimer

The information given in this document shall in no event be regarded as a guarantee of conditions or characteristics. With respect to any examples or hints given herein, any typical values stated herein and/or any information regarding the application of the device, Infineon Technologies hereby disclaims any and all warranties and liabilities of any kind, including without limitation, warranties of non-infringement of intellectual property rights of any third party.

Information

For further information on technology, delivery terms and conditions and prices, please contact the nearest Infineon Technologies Office (www.infineon.com).

Warnings

Due to technical requirements, components may contain dangerous substances. For information on the types in question, please contact the nearest Infineon Technologies Office.

Infineon Technologies components may be used in life-support devices or systems only with the express written approval of Infineon Technologies, if a failure of such components can reasonably be expected to cause the failure of that life-support device or system or to affect the safety or effectiveness of that device or system. Life support devices or systems are intended to be implanted in the human body or to support and/or maintain and sustain and/or protect human life. If they fail, it is reasonable to assume that the health of the user or other persons may be endangered.

Revision History	
Changes	Subjects

Trademarks of Infineon Technologies AG

AURIX™, C166™, CanPAK™, CIPOS™, CIPURSE™, EconoPACK™, CoolMOS™, CoolSET™, CORECONTROL™, CROSSAVE™, DAVE™, EasyPIM™, EconoBRIDGE™, EconoDUAL™, EconoPIM™, EiceDRIVER™, eupec™, FCOS™, HITFET™, HybridPACK™, I²RF™, ISOFACE™, IsoPACK™, MIPAQ™, ModSTACK™, my-d™, NovalithIC™, OptiMOS™, ORIGA™, PRIMARION™, PrimePACK™, PrimeSTACK™, PRO-SIL™, PROFET™, RASIC™, ReverSave™, SatRIC™, SIEGET™, SINDRION™, SIPMOS™, SmartLEWIS™, SOLID FLASH™, TEMPFET™, thinQ!™, TRENCHSTOP™, TriCore™.

Other Trademarks

Advance Design System™ (ADS) of Agilent Technologies, AMBA™, ARM™, MULTI-ICE™, KEIL™, PRIMECELL™, REALVIEW™, THUMB™, μVision™ of ARM Limited, UK. AUTOSAR™ is licensed by AUTOSAR development partnership. Bluetooth™ of Bluetooth SIG Inc. CAT-iq™ of DECT Forum. COLOSSUS™, FirstGPS™ of Trimble Navigation Ltd. EMV™ of EMVCo, LLC (Visa Holdings Inc.). EPCOS™ of Epcos AG. FLEXGO™ of Microsoft Corporation. FlexRay™ is licensed by FlexRay Consortium. HYPERTERMINAL™ of Hilgraeve Incorporated. IEC™ of Commission Electrotechnique Internationale. IrDA™ of Infrared Data Association Corporation. ISO™ of INTERNATIONAL ORGANIZATION FOR STANDARDIZATION. MATLAB™ of MathWorks, Inc. MAXIM™ of Maxim Integrated Products, Inc. MICROTEC™, NUCLEUS™ of Mentor Graphics Corporation. Mifare™ of NXP. MIPI™ of MIPI Alliance, Inc. MIPS™ of MIPS Technologies, Inc., USA. muRata™ of MURATA MANUFACTURING CO., MICROWAVE OFFICE™ (MWO) of Applied Wave Research Inc., OmniVision™ of OmniVision Technologies, Inc. Openwave™ Openwave Systems Inc. RED HAT™ Red Hat, Inc. RFMD™ RF Micro Devices, Inc. SIRIUS™ of Sirius Satellite Radio Inc. SOLARIS™ of Sun Microsystems, Inc. SPANSION™ of Spansion LLC Ltd. Symbian™ of Symbian Software Limited. TAIYO YUDEN™ of Taiyo Yuden Co. TEAKLITE™ of CEVA, Inc. TEKTRONIX™ of Tektronix Inc. TOKO™ of TOKO KABUSHIKI KAISHA TA. UNIX™ of X/Open Company Limited. VERILOG™, PALLADIUM™ of Cadence Design Systems, Inc. VLYNQ™ of Texas Instruments Incorporated. VXWORKS™, WIND RIVER™ of WIND RIVER SYSTEMS, INC. ZETEX™ of Diodes Zetex Limited.

Last Trademarks Update 2011-02-24

Table of Contents

	Table of Contents	4
	List of Figures	5
	List of Tables	6
1	Product Description	7
1.1	Overview	7
1.2	Features	7
1.3	Target Applications	8
2	Functional Description	9
2.1	General	9
2.2	Block Diagram	10
2.3	Pin Configuration	11
2.4	Pin Description	11
2.5	Dual Die Angle Output	12
3	Specification	13
3.1	Application Circuit	13
3.2	Absolute Maximum Ratings	13
3.3	Sensor Specification	14
3.3.1	Operating Range	14
3.3.2	Electrical Parameters	14
3.3.3	Output Parameters	15
3.4	Error diagnosis	17
3.5	Angle Performance	17
3.6	Electrostatic discharge protection	18
3.7	Electro Magnetic Compatibility (EMC)	18
4	Package Information	19
4.1	Package Parameters	19
4.2	Package Outline	19
4.3	Footprint	20
4.4	Packing	21
4.5	Marking	21
	References	22

List of Figures

Figure 1	A usual application for TLE5009A16D is the electrically commutated motor	8
Figure 2	Sensitive bridges of the GMR sensor (one die, not to scale)	9
Figure 3	Ideal output of the GMR sensor bridges	10
Figure 4	TLE5009A16D block diagram (one die only)	10
Figure 5	Pin configuration (top view)	11
Figure 6	Dual die angle output	12
Figure 7	Application circuit for the TLE5009A16D	13
Figure 8	GMR differential output of ideal cosine	16
Figure 9	Package dimensions	19
Figure 10	Position of sensing element	20
Figure 11	Footprint	20
Figure 12	Tape and reel	21

List of Tables

Table 1	Derivate Ordering codes	7
Table 2	Pin description	11
Table 3	Absolute maximum ratings	13
Table 4	Operating range	14
Table 5	Electrical parameters	14
Table 6	Output parameters over temperature and lifetime	16
Table 7	Residual angle error in differential applications over temperature and lifetime	17
Table 8	Angle error in differential applications over temperature and lifetime	18
Table 9	ESD protection	18
Table 10	Package parameters	19
Table 11	Sensor IC placement tolerances in package	20

1 Product Description



1.1 Overview



The TLE5009A16D is an angle sensor with analog outputs. It detects the orientation of a magnetic field by measuring sine and cosine components with **Giant Magneto Resistive (GMR)** elements. It provides analog sine and cosine output voltages that describe the magnet angle in a range of 0° to 360°.

The differential GMR bridge signals are independent of the magnetic field strength, and the output voltages are designed to use the dynamic range of an A/D-converter using the same supply as the sensor as voltage reference.

The TLE5009A16D is a dual die sensor for safety applications that require redundancy. The two dies are supplied independently by separate supply and ground pins.

1.2 Features

- Dual die sensor with separate supplies for each die
- Low current consumption and very fast power up
- 360° contactless angle measurement
- Immune to airgap variations due to MR based sensing principle
- Operating temperature: -40°C to 125°C (ambient temperature)
- AEC-Q100 automotive qualified
- Green package with lead-free (Pb-free) plating, halogene free

Table 1 Derivate Ordering codes

Product Type	Marking	Ordering Code	Package	Description
TLE5009A16D E1200	09A21200	SP001285628	PG-TDSO-16 (16 pins)	Dual Die 3.3 V supply Without TCO ¹⁾ Grade 1 ²⁾
TLE5009A16D E1210	09A21210	SP001296122	PG-TDSO-16 (16 pins)	Dual Die 3.3 V supply With TCO ¹⁾ Grade 1 ²⁾
TLE5009A16D E2200	09A22200	SP001296126	PG-TDSO-16 (16 pins)	Dual Die 5.0 V supply Without TCO ¹⁾ Grade 1 ²⁾
TLE5009A16D E2210	09A22210	SP001296130	PG-TDSO-16 (16 pins)	Dual Die 5.0 V supply With TCO ¹⁾ Grade 1 ²⁾

1) Temperature Compensation Offset

2) Part Operating Temperature Grades according to AEC-Q100

1.3 Target Applications

The TLE5009A16D angle sensor is designed for angular position sensing automotive applications. Its high accuracy and 360° measurement range combined with short propagation delay makes it suitable for systems with high speeds and high accuracy demands such as brush-less DC (BLDC) motors for actuators and electric power steering systems (EPS). At the same time its fast power-up time and low overall power consumption enables the device to be employed for low-power turn counting. Extremely low power consumption can be achieved with power cycling, where the advantage of fast power on time reduces the average power consumption.

The TLE5009A16D is also used in various non-automotive applications.

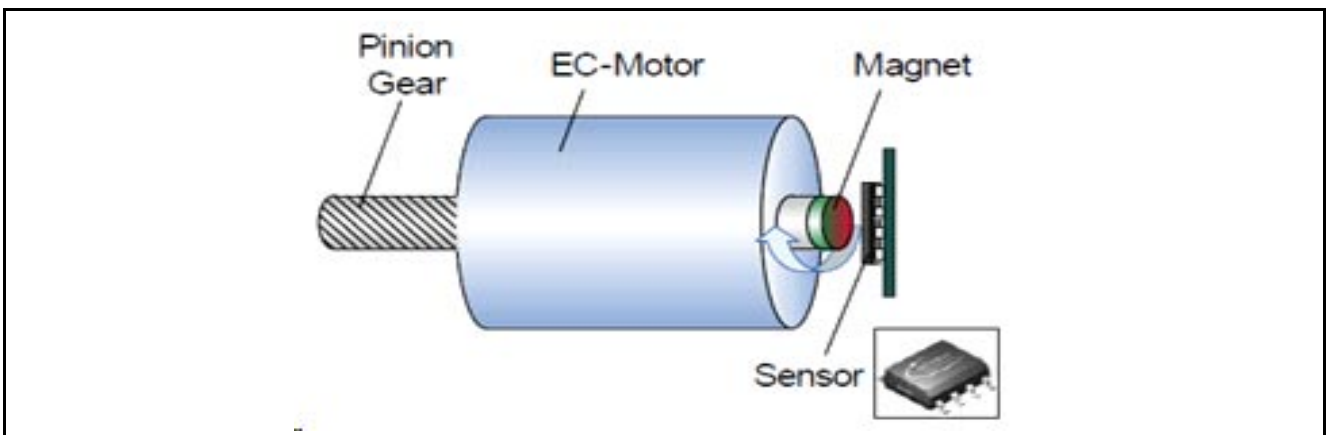


Figure 1 A usual application for TLE5009A16D is the electrically commutated motor

2 Functional Description

2.1 General

The **Giant Magneto Resistive (GMR)** sensors are implemented using vertical integration. This means that the MR sensitive areas are integrated above the analog portion of the ICs. These MR elements change their resistance depending on the direction of the magnetic field.

On each sensor, four individual MR elements are connected in a Wheatstone bridge arrangement. Each MR element senses one of two components of the applied magnetic field:

- X component, V_x (cosine) or the
- Y component, V_y (sine)

The advantage of a full-bridge structure is that the amplitude of the MR signal is doubled and temperature effects cancel out. The output signal of a GMR bridge is unambiguous in a range of 180° . Therefore two bridges are oriented orthogonally to each other to measure 360° .

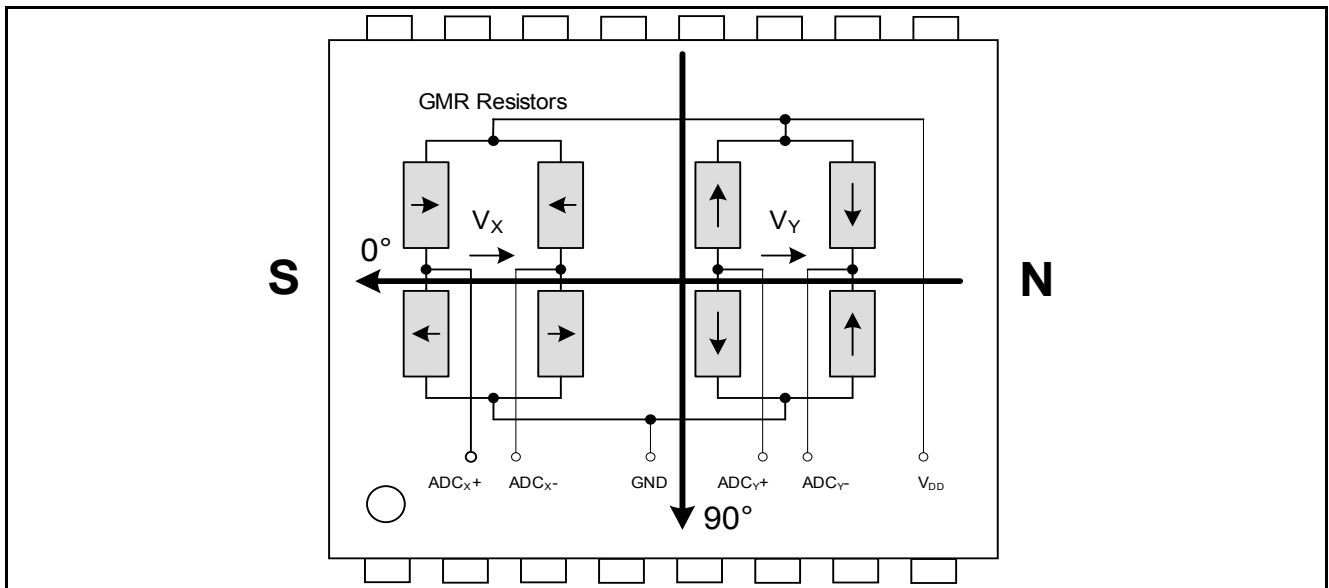


Figure 2 Sensitive bridges of the GMR sensor (one die, not to scale)

Attention: Due to the rotational placement inaccuracy of the sensor IC in the package, the sensors 0° position may deviate by up to 3° from the package edge direction indicated in [Figure 2](#).

In [Figure 2](#), the arrows in the resistors represent the magnetic direction which is fixed in the Reference Layer. On top of the Reference Layer, and separated by a non magnetic layer, there is a Free Layer. When applying an external magnetic field the Free Layer moves in the same direction as the external magnetic field, while the Reference Layer remains fix. The resistance of the GMR elements depends on the magnetic direction difference between the Reference Layer and the Free Layer.

When the external magnetic field is parallel to the direction of the Reference Layer, the resistance is minimal (Reference Layer and Free Layer are parallel). When the external magnetic field and the Reference Layer are anti-parallel (Reference Layer and Free Layer are anti-parallel), resistance is maximal.

The output signal of each bridge is only unambiguous over 180° between two maxima. Therefore two bridges are oriented orthogonally to each other to measure 360° .

With the trigonometric function ARCTAN2 , the true 360° angle value is calculated out of the raw X and Y signals from the sensor bridges. The ARCTAN2 function is a microcontroller library function which resolves an angle within 360° using the x and y coordinates on a unit circle.

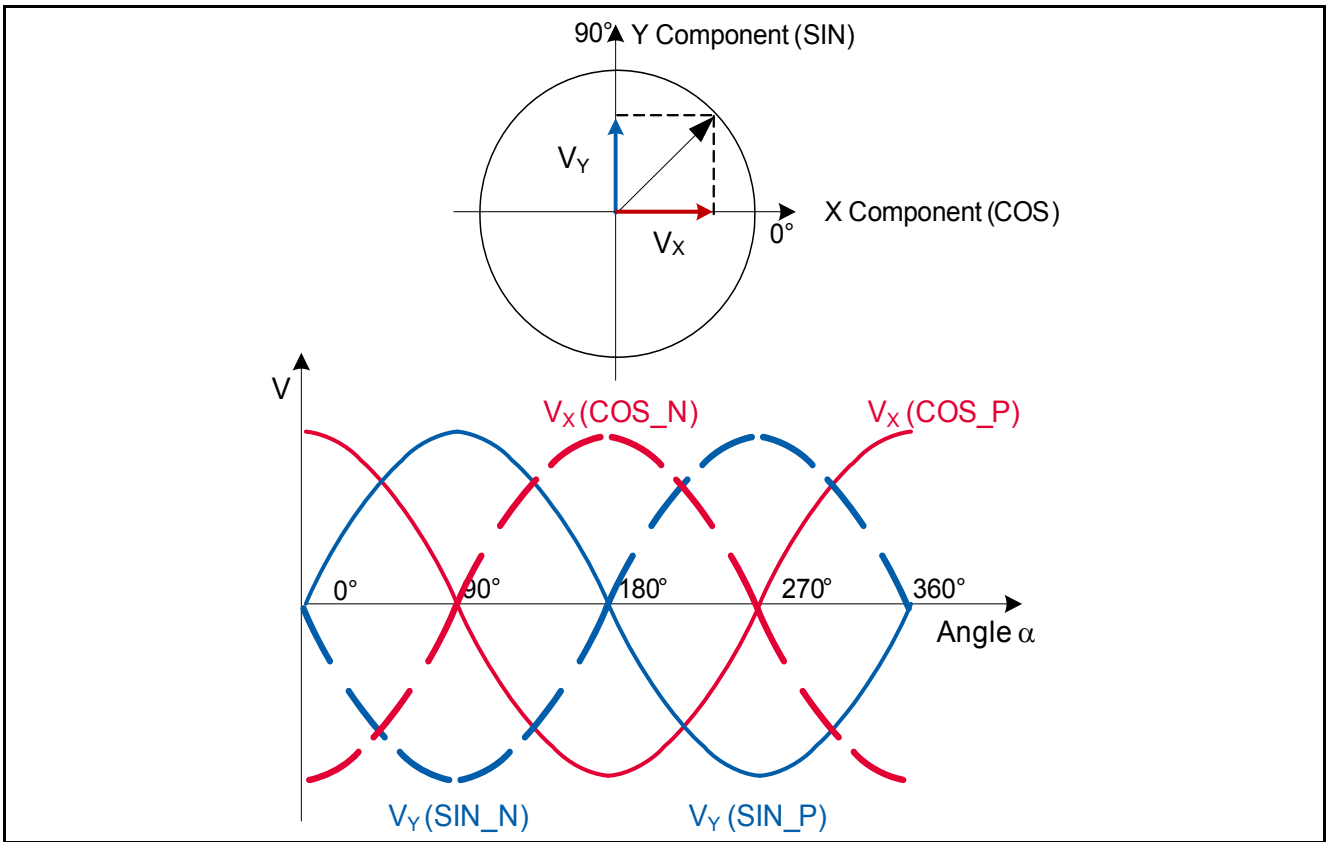


Figure 3 Ideal output of the GMR sensor bridges

2.2 Block Diagram

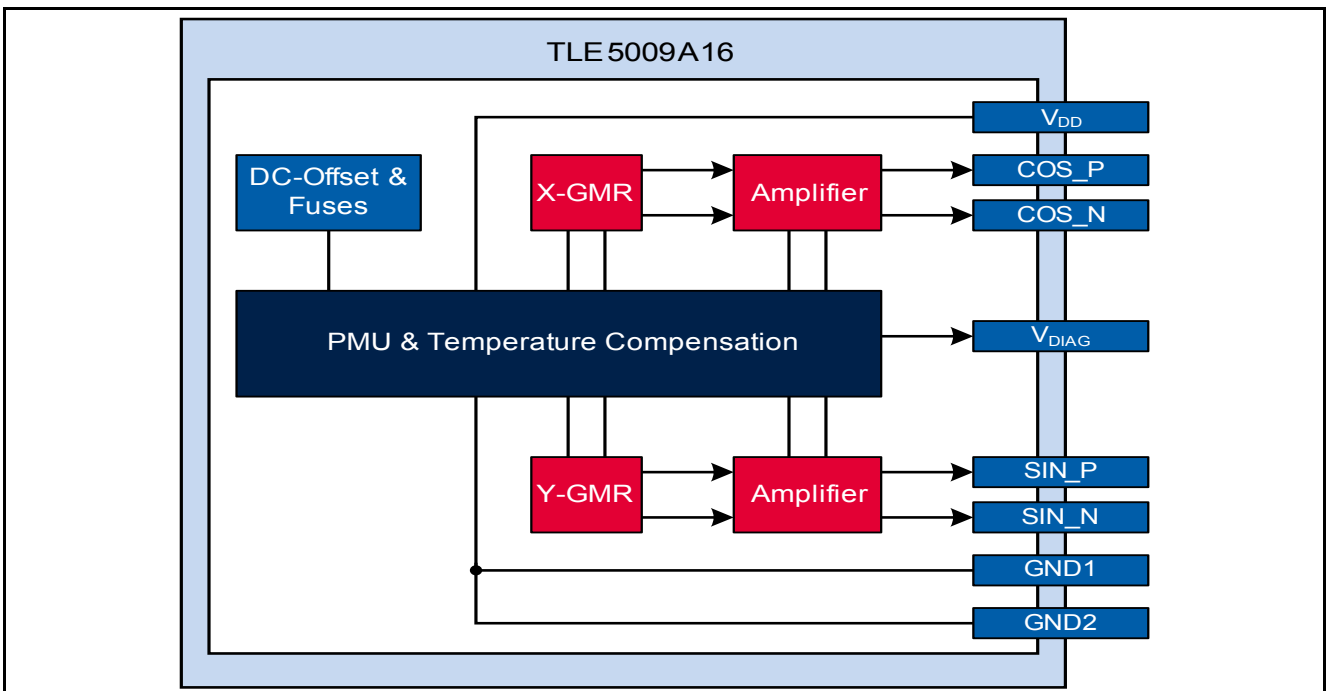


Figure 4 TLE5009A16D block diagram (one die only)

2.3 Pin Configuration

The sensitive area is located at the center of the package.

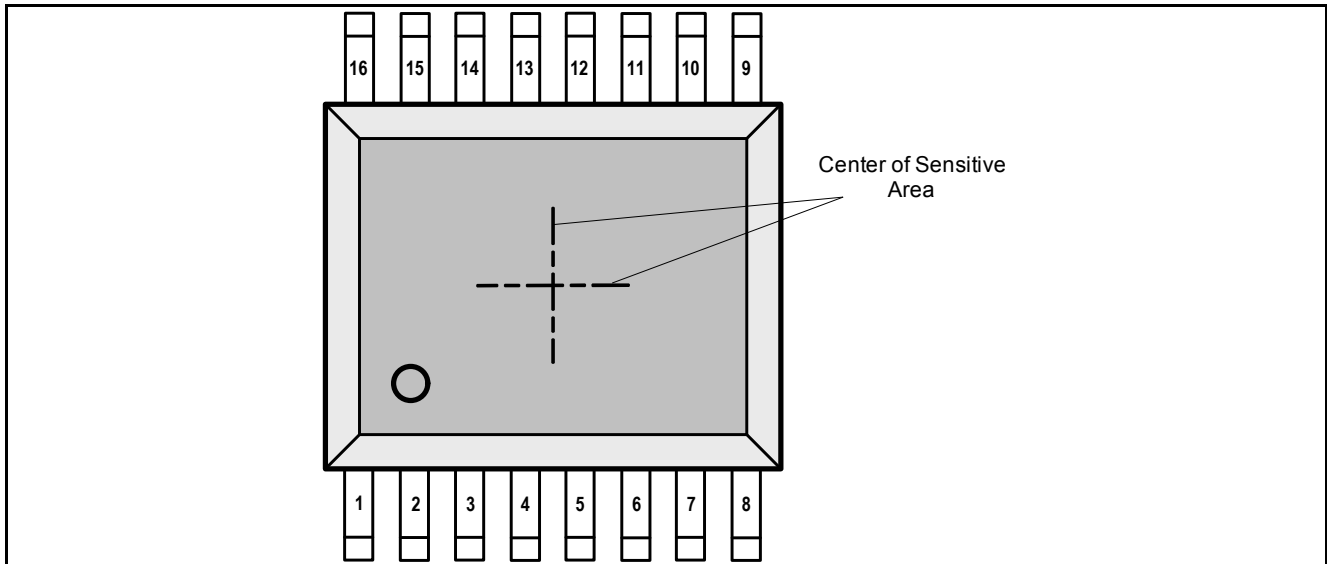


Figure 5 Pin configuration (top view)

2.4 Pin Description

Table 2 Pin description

Pin No.	Symbol	In/Out	TLE5009A16D - Function
1	Die1_V _{DIAG}	O	Die 1 bridge voltage proportional to temperature. Diagnostic function
2	Die1_V _{DD}		Die 1 Supply voltage
3	Die1_SIN_N	O	Die 1 Analog negative sine output
4	Die1_SIN_P	O	Die 1 Analog positive sine output
5	Die2_SIN_P	O	Die 2 Analog positive sine output
6	Die2_SIN_N	O	Die 2 Analog negative sine output
7	Die2_V _{DD}		Die 2 Supply voltage
8	Die2_V _{DIAG}	O	Die 2 bridge voltage proportional to temperature. Diagnostic function
9	Die2_GND		Die 2 Ground
10	Die2_GND		Die 2 Ground
11	Die2_COS_N	O	Die 2 Analog negative cosine output
12	Die2_COS_P	O	Die 2 Analog positive cosine output
13	Die1_COS_P	O	Die 1 Analog positive cosine output
14	Die1_COS_N	O	Die 1 Analog negative cosine output
15	Die1_GND		Die 1 Ground
16	Die1_GND		Die 1 Ground

2.5 Dual Die Angle Output

The TLE5009A16D comprises two GMR sensor ICs mounted on the top and bottom of a package leadframe in a flipped configuration, so the positions of the sensitive elements in the package-plane coincide. This mounting technique ensures a minimum deviation of the magnetic field orientation sensed by the two chips.

Due to the flipped mounting, the two GMR ICs sense opposite rotation directions. This behavior is illustrated in [Figure 6](#), which shows the angle calculated from the output of the two dies, respectively, for a given external magnetic field orientation.

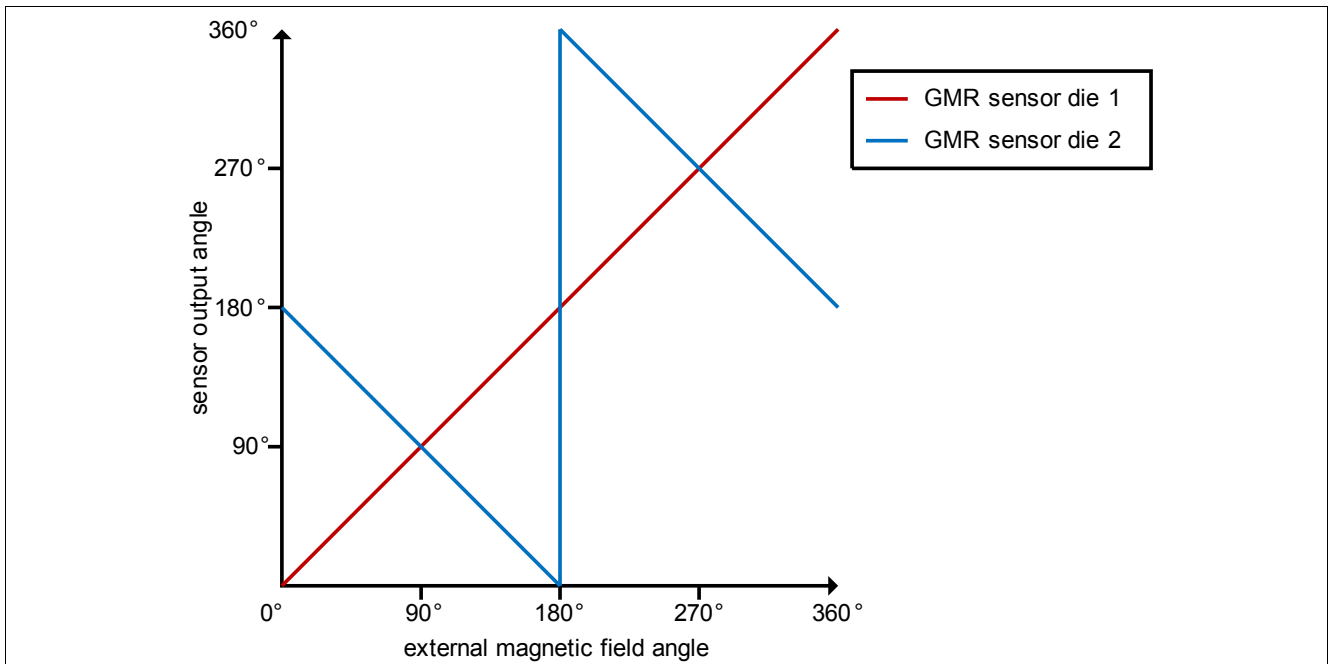


Figure 6 Dual die angle output

Attention: The positioning accuracy of each sensor IC in the package is $\pm 3^\circ$. Thus, the relative rotation of the two sensor ICs can be up to 6° , resulting in a constant offset of the angle output of up to 6° , which has to be measured in an end-of-line calibration and taken into account during operation of the TLE5009A16D.

3 Specification

3.1 Application Circuit

Figure 7 shows a typical application circuit for the TLE5009A16D. The TLE5009A16D has separate supply pins for the two GMR sensor dies. The microcontroller comprises 10 A/D inputs used to receive the sensor output signals. For reasons of EMC and output filtering, the following RC low pass arrangement is recommended.

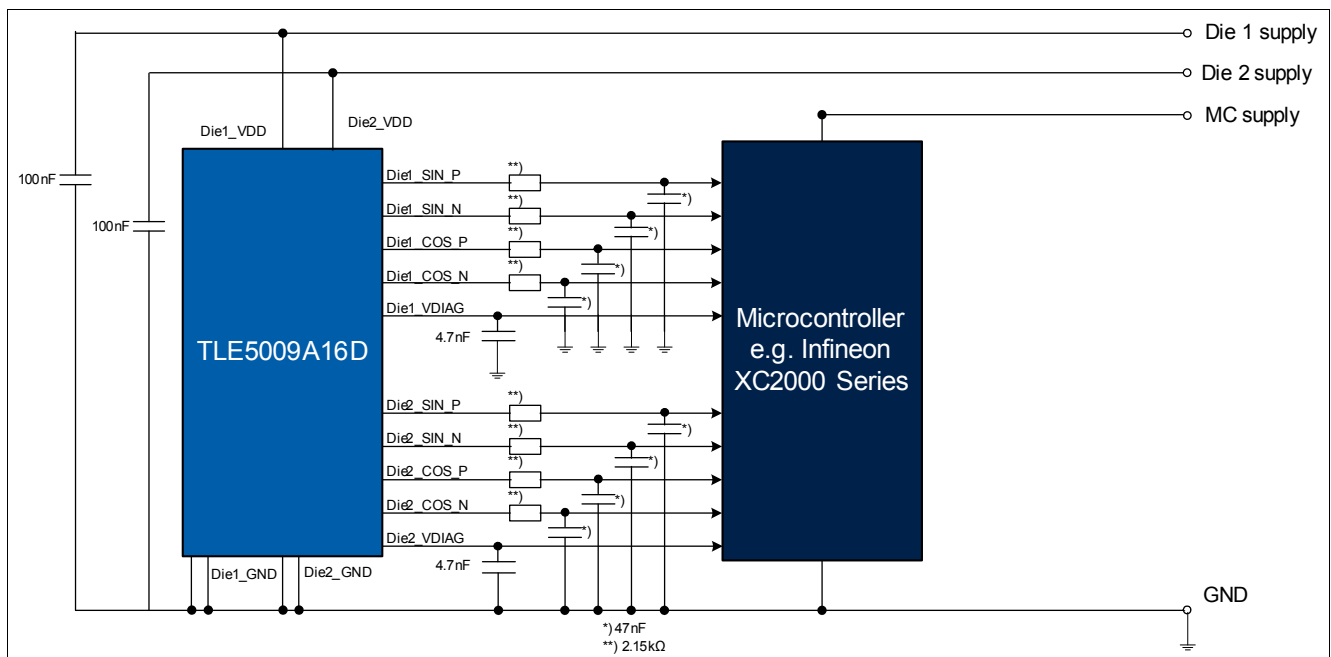


Figure 7 Application circuit for the TLE5009A16D.

3.2 Absolute Maximum Ratings

Table 3 Absolute maximum ratings

Parameter	Symbol	Values			Unit	Note / Test Condition
		Min.	Typ.	Max.		
Supply voltage	V_{DD}	-0.5		6.5	V	Max 40 h over lifetime
Ambient temperature ¹⁾	T_A	-40		140	°C	
Magnetic field induction	B			200	mT	Max. 5 min at $T_A = 25^\circ\text{C}$
				150	mT	Max. 5 h at $T_A = 25^\circ\text{C}$

1) Assuming a thermal resistance of the sensor assembly in the application of 150 K/W or less.

Attention: Stresses above the max. values listed here may cause permanent damage to the device. Exposure to absolute maximum rating conditions for extended periods may affect device reliability. Maximum ratings are absolute ratings; exceeding only one of these values may cause irreversible damage to the device.

3.3 Sensor Specification

The following operating conditions must not be exceeded in order to ensure correct operation of the TLE5009A16D. All parameters specified in the following sections refer to these operating conditions, unless otherwise noted. **Table 4** is valid for $-40^{\circ}\text{C} < T_A < 125^{\circ}\text{C}$ and through the TLE5009A16D lifetime.

3.3.1 Operating Range

Table 4 Operating range

Parameter	Symbol	Values			Unit	Note / Test Condition
		Min.	Typ.	Max.		
Operating temperature ¹⁾	T_A	-40		125	$^{\circ}\text{C}$	
Supply voltage ²⁾	$V_{DD, GMR}$	3.0	3.3	3.6	V	E1200, E1210
		4.5	5	5.5	V	E2200, E2210
Output current ³⁾	I_Q	0		0.5	mA	COS_N; COS_P; SIN_N; SIN_P
		0		0.1	mA	V_{DIAG}
Load capacitance ³⁾⁴⁾	C_L	0		4.7	nF	all output pins
Magnetic field ³⁾⁵⁾⁶⁾	B_{XY}	24		60	mT	in X/Y direction, at $T_A = 25^{\circ}\text{C}$
		26		100	mT	in X/Y direction, at $T_A = -40^{\circ}\text{C}$
		21		50	mT	in X/Y direction, at $T_A = 125^{\circ}\text{C}$
Angle range	α	0		360	$^{\circ}$	
Rotation speed ³⁾⁷⁾	n			30,000	rpm	
				150,000	rpm	No signal saturation observed in lab

- 1) Assuming a thermal resistance of the sensor assembly in the application of 150 K/W or less.
- 2) Supply voltage V_{DD} buffered with 100 nF ceramic capacitor in close proximity to the sensor.
- 3) Not subject to production test - verified by design/characterization.
- 4) Directly connected to the pin.
- 5) Values refer to a homogenous magnetic field (B_{XY}) without vertical magnetic induction ($B_Z = 0$ mT).
- 6) Min/Max values for magnetic field for intermediate temperatures can be obtained by linear interpolation.
- 7) Typical angle propagation delay error is 1.62° at 30,000 rpm.

3.3.2 Electrical Parameters

The indicated electrical parameters apply to the full operating range, unless otherwise specified. The typical values correspond to the specified supply voltage range and 25°C , unless individually specified. All other values correspond to $-40^{\circ}\text{C} < T_A < 125^{\circ}\text{C}$ and through the TLE5009A16D lifetime.

Table 5 Electrical parameters

Parameter	Symbol	Values			Unit	Note / Test Condition
		Min.	Typ.	Max.		
Supply current	I_{DD}		7	10.5	mA	per sensor IC, without load on output pins
POR level	V_{POR}	2.3	2.65	2.97	V	Power-On Reset
POR hysteresis ¹⁾	V_{PORhy}		50		mV	

Table 5 Electrical parameters

Parameter	Symbol	Values			Unit	Note / Test Condition
		Min.	Typ.	Max.		
Power-On time ²⁾	t _{PON}		40	70	μs	settling time to 90% of full output voltages
Temperature reference voltage	V _{DIAG}	0.5	1.05	2.0	V	Temperature proportional output voltage; available on pin V _{DIAG}
Diagnostic function	V _{DIAG}	0		0.39	V	Diagnostic for internal errors; available on pin V _{DIAG}
Temperature coefficient of V _{DIAG} ¹⁾	TC _{VDIAG}		0.4		%/K	

1) Not subject to production test - verified by design/characterization.

2) Time measured at chip output pins.

3.3.3 Output Parameters

All parameters apply over the full operating range, unless otherwise specified.

The following equations describe various types of errors that combine to the overall angle error.

The maximum and zero-crossing of the SIN and COS signals do not occur at the precise angle of 90°. The difference between the X and Y phases is called the **orthogonality** error. In [Equation \(1\)](#) the angle at zero crossing of the X cosine output is subtracted from the angle at the maximum of the Y SIN output, which describes the orthogonality of X and Y.

$$\varphi = \alpha [Y_{\max}] - \alpha [X_0] \tag{1}$$

The amplitudes of SIN and COS signals are not equal to each other. The amplitude mismatch is defined as **synchronism**, shown in [Equation \(2\)](#). This value could also be described as amplitude ratio mismatch.

$$k = 100 * \frac{A_X}{A_Y} \tag{2}$$

Differential signals are centered at the mean output voltage V_{MVX}, V_{MVY} given in [Table 6](#). The differential voltages for X or Y are defined in [Equation \(3\)](#).

$$\begin{aligned} V_{Xdiff} &= V_{COSP} - V_{COSN} \\ V_{Ydiff} &= V_{SINP} - V_{SINN} \end{aligned} \tag{3}$$

The maximum amplitudes are defined for X or Y as given in [Equation \(4\)](#):

$$\begin{aligned} A_{Xdiff} &= \frac{(X_{diff_MAX} - X_{diff_MIN})}{2} \\ A_{Ydiff} &= \frac{(Y_{diff_MAX} - Y_{diff_MIN})}{2} \end{aligned} \tag{4}$$

Differential offset is of X or Y is defined in [Equation \(5\)](#).

$$O_{Xdiff} = \frac{(X_{diff_MAX} + X_{diff_MIN})}{2}$$

$$O_{Ydiff} = \frac{(Y_{diff_MAX} + Y_{diff_MIN})}{2}$$
(5)

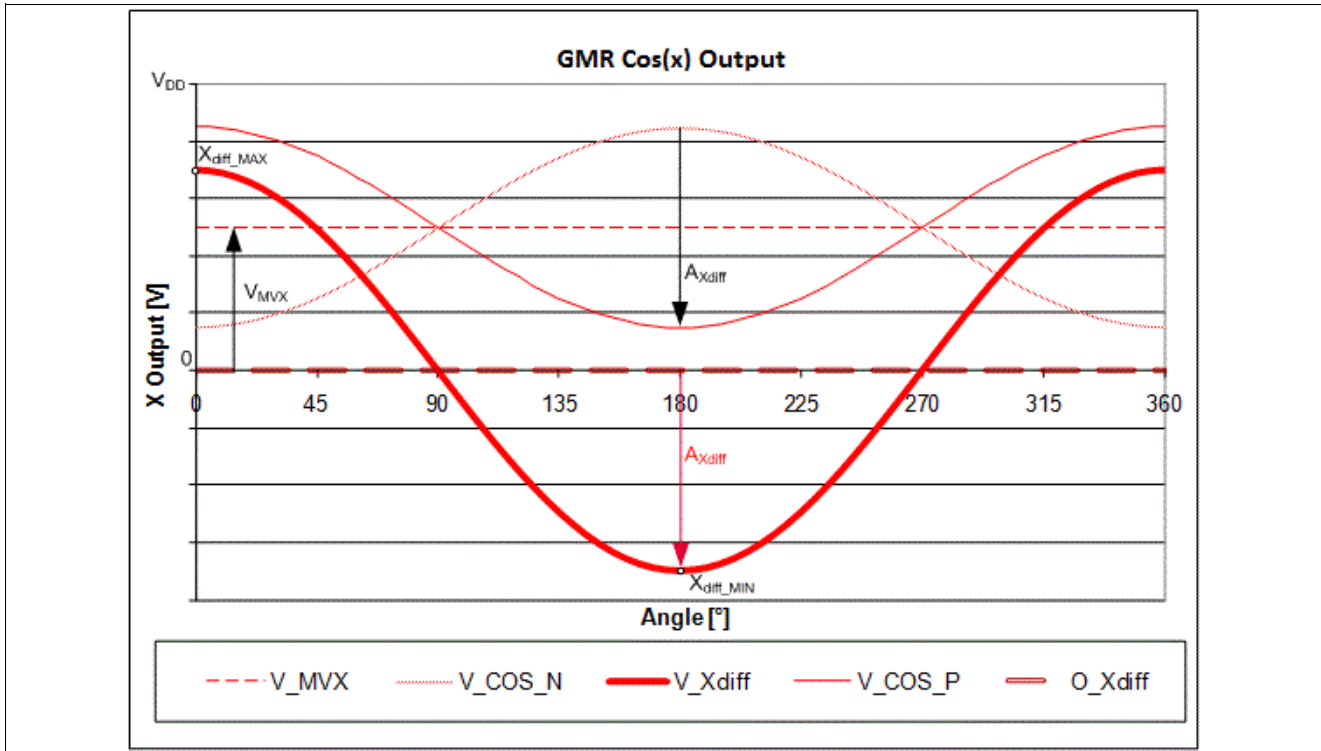


Figure 8 GMR differential output of ideal cosine

Table 6 Output parameters over temperature and lifetime

Parameter	Symbol	Values			Unit	Note / Test Condition
		Min.	Typ.	Max.		
X, Y amplitude (single output pin)	A _X , A _Y	0.7		1.3	V	E1200, E1210
		1.2		1.95	V	E2200, E2210
X, Y differential amplitude	A _{Xdiff} , A _{Ydiff}	1.4		2.6	V	E1200, E1210
		2.4		3.9	V	E2200, E2210
X, Y synchronism	k	94	100	106	%	
X, Y orthogonality error	φ	-12		12	°	
Mean output voltage (single output pin)	V _{MVX} , V _{MVY}	0.47*V _{DD}	0.5*V _{DD}	0.53*V _{DD}	V	V _{MV} =(V _{max} +V _{min})/2 ¹⁾
X, Y offset	O _{Xdiff} , O _{Ydiff}	-100	0	100	mV	
X,Y cut-off frequency ²⁾	f _c		30		kHz	-3dB attenuation
X,Y delay time ²⁾	t _{adel}		9		μs	

Table 6 Output parameters over temperature and lifetime (cont'd)

Parameter	Symbol	Values			Unit	Note / Test Condition
		Min.	Typ.	Max.		
Vector Length ($V_{VEC} = \text{Sqrt}(X_{\text{Diff}}^2 + Y_{\text{Diff}}^2)$) ³⁾	V_{VEC}	1.5		2.8		E1200, E1210
		2.5		3.9		E2200, E2210
Output RMS noise ²⁾	V_{Noise}		5		mV	

1) V_{max} and V_{min} correspond to the maximum and minimum voltage levels of the X and Y signals respectively.

2) Not subject to production test - verified by design/characterization

3) Vector length check described in the TLE5009 Safety Manual.

3.4 Error diagnosis

Each sensor provides two functions at its V_{DIAG} pin. During normal operation the voltage measured at this pin is temperature dependent. The typical voltage at room temperature and the temperature coefficient are given in [Table 5 “Electrical parameters” on Page 14](#).

The second purpose of pin V_{DIAG} is the diagnosis functionality. In case the device detects an internal error, the pin is driven to a low level. The errors that can be detected by monitoring the status of the V_{DIAG} pin are:

- Overvoltage at V_{DD} (supply)
- Undervoltage at V_{DD} (supply)
- Undervoltage at internal nodes (analog voltage regulator and/or GMR voltage regulator)
- Bandgap failure
- Oscillator failure (only tested at startup)
- Parity check of configuration fuses (only tested at startup)

3.5 Angle Performance

The overall angle error represents the relative angular error. This error describes the deviation from the reference line after zero angle definition. The typical value corresponds to an ambient temperature of 25°C. All other values correspond to the operating ambient temperature range $-40^{\circ}\text{C} < T_A < 125^{\circ}\text{C}$ and through the TLE5009A16D lifetime.

Fully compensated performance (ongoing calibration)

Using the algorithm described in the application note [“TLE5009 Calibration”](#), it is possible to implement an ongoing automatic calibration on the microcontroller to greatly improve the performance of the TLE5009A16D in applications where a rotor is turning continuously.

With this autocalibration algorithm, it is possible to reach an angular accuracy as good as the residual error of the sensing elements, which means the remaining error after perfect compensation of offset, amplitude synchronicity mismatch and orthogonality error.

Table 7 Residual angle error in differential applications over temperature and lifetime¹⁾

Parameter	Symbol	Values			Unit	Note / Test Condition
		Min.	Typ.	Max.		
Fully compensated angle error ²⁾³⁾	$\alpha_{\text{ERR,C}}$		0.6	0.9	°	

1) After perfect compensation of offset, amplitude synchronicity mismatch and orthogonality error

2) Including hysteresis error

3) Valid for differential readout.

Angle Performance with one-time calibration

After assembly of the TLE5009A16D in a sensor module, the sensor IC(s) in the TLE5009A16D have to be end-of-line calibrated for offset, synchronism and orthogonality error at 25°C and the compensation parameters have to be stored and applied on the microcontroller. For the detailed calibration procedure refer to the application note “[TLE5009 Calibration](#)”. **Table 8** shows the accuracy of the angle calculated from the differential output of the sensor and the compensation parameters acquired in the end-of-line calibration.

Table 8 Angle error in differential applications over temperature and lifetime

Parameter	Symbol	Values			Unit	Note / Test Condition
		Min.	Typ.	Max.		
Angle error ¹⁾²⁾	α_{ERR}		0.6	3.8	°	E1200, E2200
			0.6	3.0	°	E1210, E2210

1) Including hysteresis error.

2) Valid for differential readout.

3.6 Electrostatic discharge protection

Table 9 ESD protection

Parameter	Symbol	Values		Unit	Notes
		min.	max.		
ESD voltage	V_{HBM}		±4.0	kV	¹⁾ ground pins connected
			±2.0	kV	¹⁾
	V_{CDM}		±0.5	kV	²⁾
			±0.75	kV	²⁾ for corner pins

1) Human Body Model (HBM) according to: ANSI/ESDA/JEDEC JS-001

2) Charged Device Model (CDM) according to: JESD22-C101

3.7 Electro Magnetic Compatibility (EMC)

The TLE5009A16D is characterized according to the EMC requirements described in the “Generic IC EMC Test Specification” Version 1.2 from November 15, 2007. The classification of the TLE5009A16D is done for local pins.

4 Package Information

The TLE5009A16D comes in a green SMD package with lead-free plating, the **PG-TDSO-16**.

4.1 Package Parameters

Table 10 Package parameters

Parameter	Symbol	Limit Values			Unit	Notes
		min.	typ.	max.		
Thermal Resistance	R_{thJA}		130	150	K/W	Junction-to-Air ¹⁾
	R_{thJC}			35	K/W	Junction-to-Case
	R_{thJL}			70	K/W	Junction-to-Lead
Moisture Sensitivity Level			MSL 3			260°C
Lead Frame			Cu			
Plating			Sn 100%			> 7 μ m

1) According to Jecdec JESD51-7

4.2 Package Outline

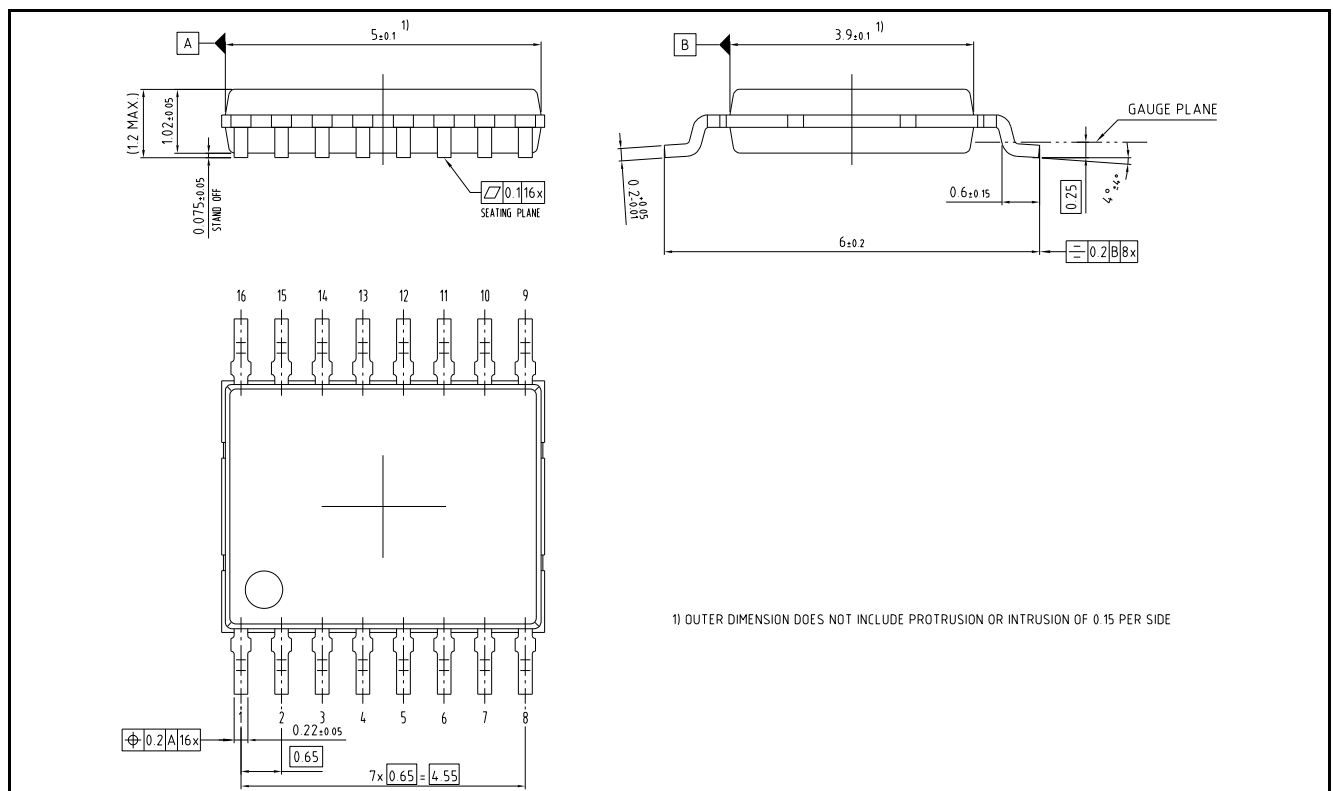


Figure 9 Package dimensions

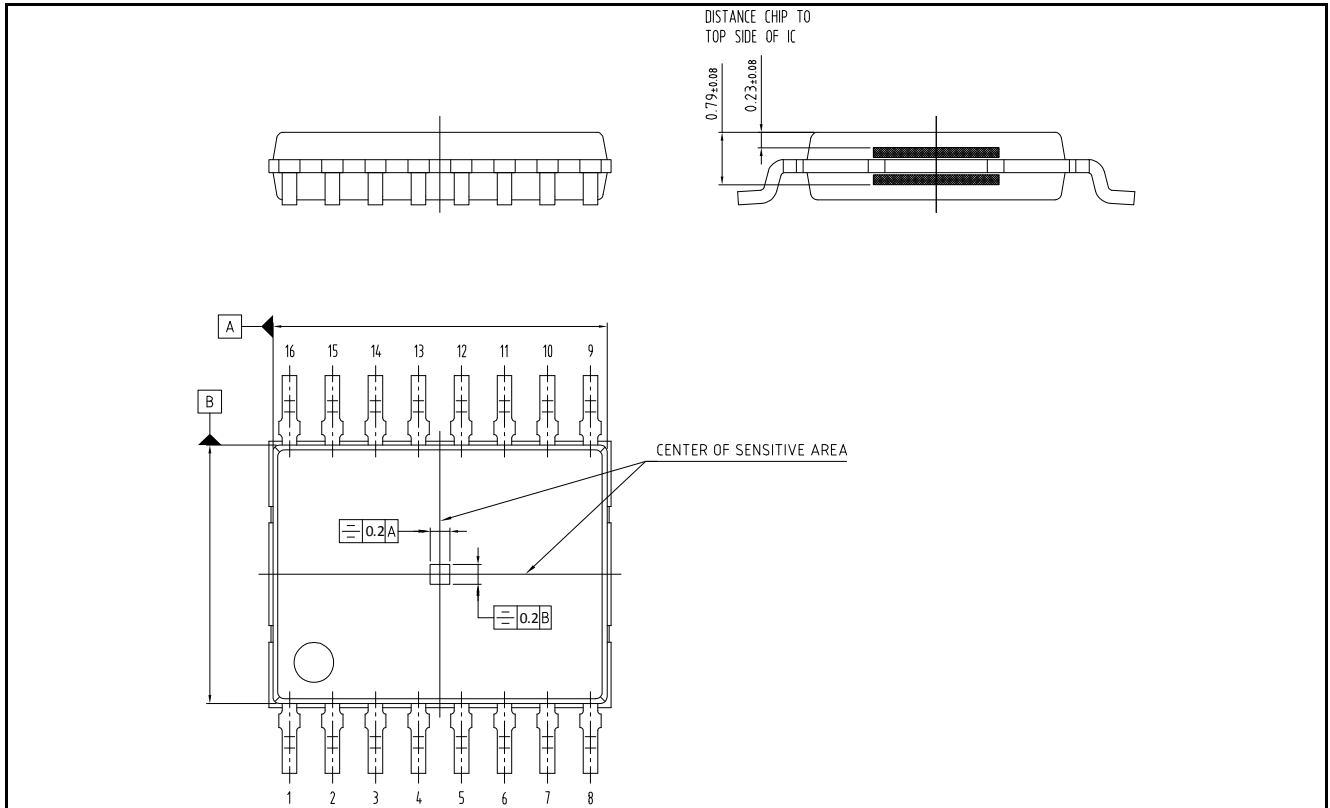


Figure 10 Position of sensing element

Note: [Table 10](#) shows the positioning of the two sensor dies in the TLE5009A16D.

Table 11 Sensor IC placement tolerances in package

Parameter	Values		Unit	Notes
	Min.	Max.		
position eccentricity	-100	100	μm	in X- and Y-direction
rotation	-3	3	$^\circ$	affects zero position offset of sensor
tilt	-3	3	$^\circ$	

4.3 Footprint

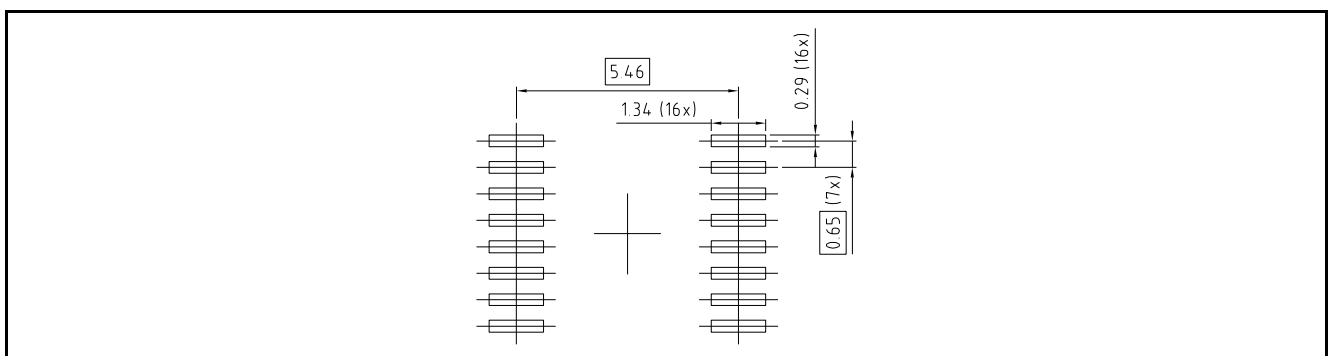


Figure 11 Footprint

4.4 Packing

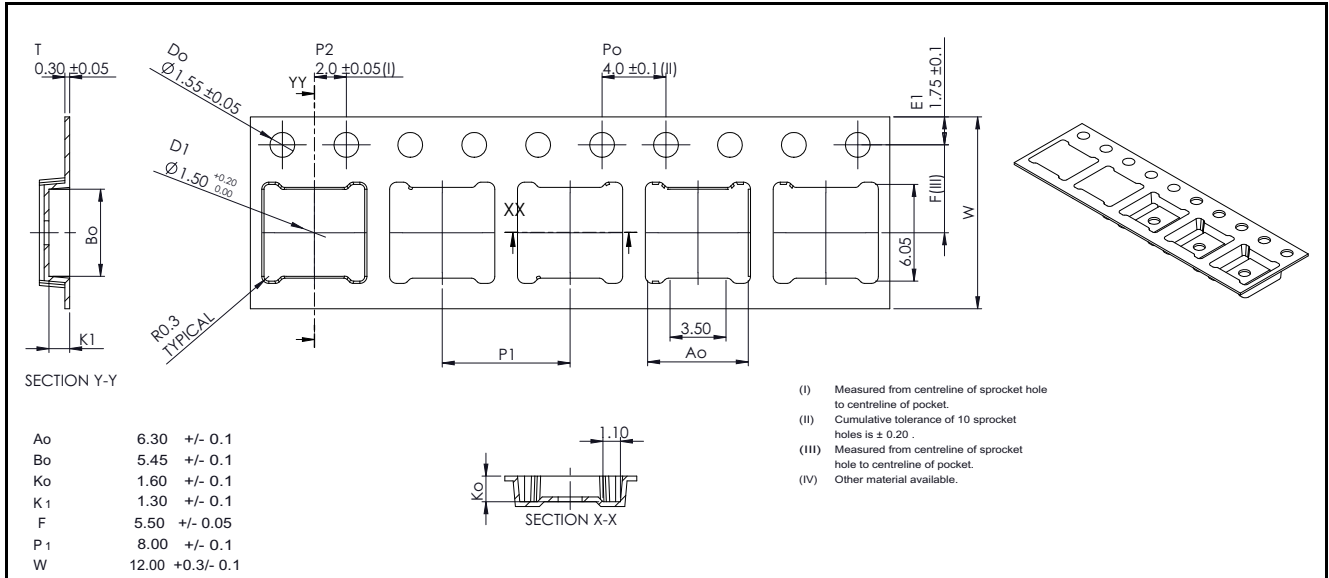


Figure 12 Tape and reel

4.5 Marking

Position	Marking	Description
1st Line	09A2xxxx	dual die
2nd Line	xxx	Lot code
3rd Line	Gxxxx	G..green, 4-digit..date code

References

www.infineon.com

Published by Infineon Technologies AG