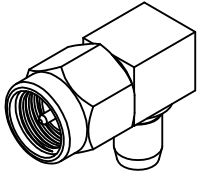
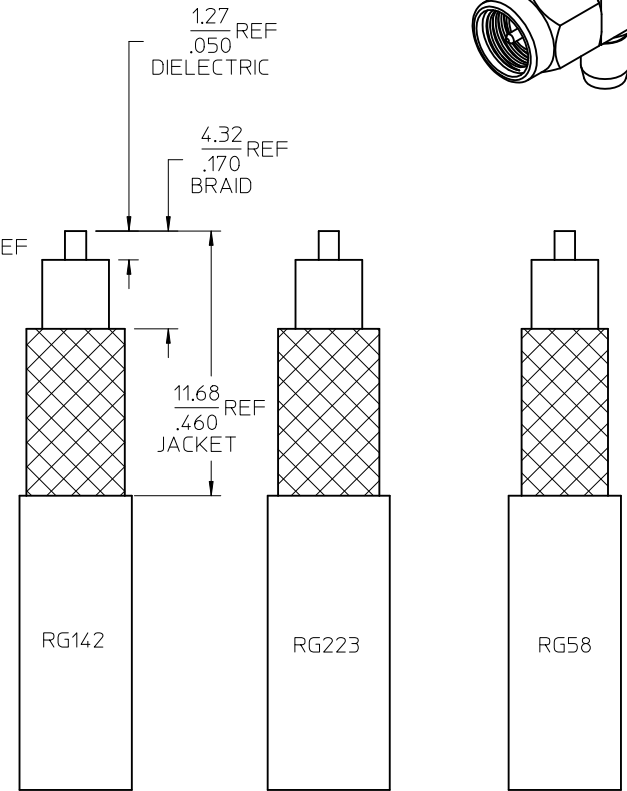
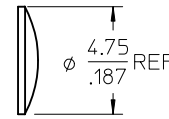
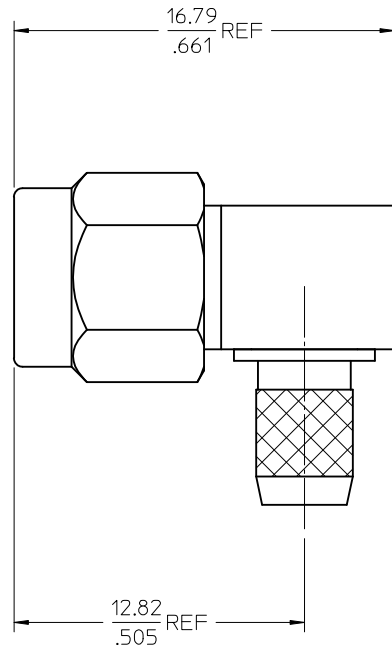
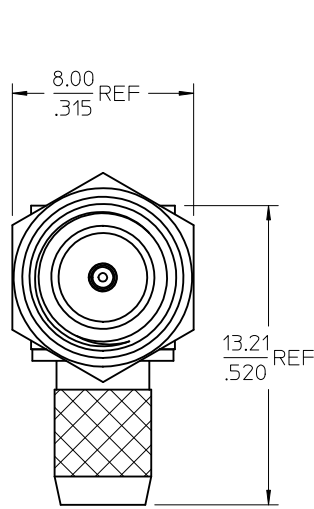


MATERIALS AND FINISHES

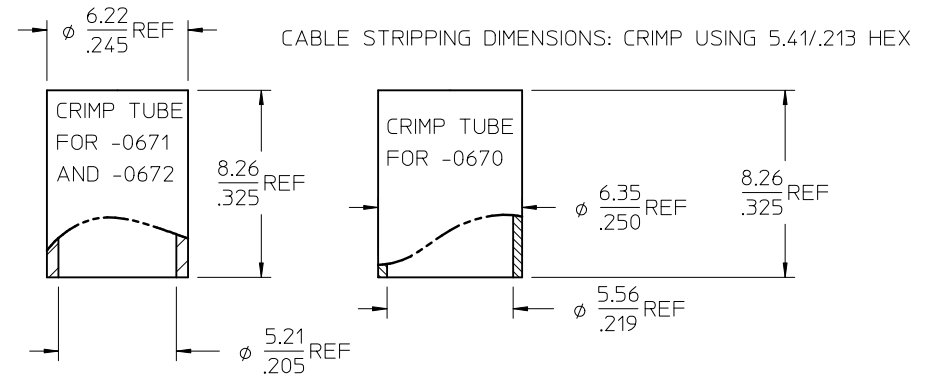
BODY, CAP, C'NUT, CONTACT,
CRIMP TUBE: BRASS
PLATED GOLD

INSULATOR: TEFLON



PS-89675-3460	ELECTRO/MECH PERFORM.
MIL-STD-348A, FIG. 310.1	INTERFACE
SPECIFICATION	DESCRIPTION

73251-0672	RG58 / SINGLE BAG
73251-0671	RG58 / BULK PACK
73251-0670	RG55, RG142, RG223 / BULK PACK
PART NO.	CABLE GROUP / PACKAGING



CHG: ADD -0672 PS WAS ES-89675-1190 ADD PACKAGING EC NO: URF2012-0421 DRWN:JWIENER 2012/01/25 CHKD:SSS 2012/01/25 APPR:JWIENER 2012/01/27	QUALITY SYMBOLS	DESCRIPTION
	$\nabla=0$ $\nabla=0$	
REV A2		

GENERAL TOLERANCES (UNLESS SPECIFIED)	DIMENSION STYLE	SCALE	DESIGN UNITS	THIRD ANGLE PROJECTION															
<table border="1"> <tr> <th></th> <th>mm</th> <th>INCH</th> </tr> <tr> <td>4 PLACES</td> <td>± .005</td> <td>± .0005</td> </tr> <tr> <td>3 PLACES</td> <td>± .004</td> <td>± .0004</td> </tr> <tr> <td>2 PLACES</td> <td>± .003</td> <td>± .0003</td> </tr> <tr> <td>1 PLACE</td> <td>± .002</td> <td>± .0002</td> </tr> </table>		mm	INCH	4 PLACES	± .005	± .0005	3 PLACES	± .004	± .0004	2 PLACES	± .003	± .0003	1 PLACE	± .002	± .0002	MM/IN	METRIC	METRIC	
	mm	INCH																	
4 PLACES	± .005	± .0005																	
3 PLACES	± .004	± .0004																	
2 PLACES	± .003	± .0003																	
1 PLACE	± .002	± .0002																	
DRAWN BY: GMH DATE: 2001/04/18	CHECKED BY: SSS DATE: 2001/04/18	TITLE: SMA PLUG R/A 50 OHM RG58/223 SMA-PC, EWR-1320																	
APPROVED BY: GMH DATE: 2001/04/18		MATERIAL NO. SEE TABLE																	
DRAFT WHERE APPLICABLE MUST REMAIN WITHIN DIMENSIONS		DOCUMENT NO. SD-73251-067																	
SIZE: C		SHEET NO. 1 OF 1																	
THIS DRAWING CONTAINS INFORMATION THAT IS PROPRIETARY TO MOLEX INCORPORATED AND SHOULD NOT BE USED WITHOUT WRITTEN PERMISSION																			