

General Description

The AP2810 is an integrated high-side power switch that consists of N-Channel MOSFET, charge pump, over current & temperature and other related protection circuits. The switch's low RDS (ON), 60mΩ, design easily to meet USB voltage drop requirements. It includes soft-start to limit inrush current, over-current protection, load short protection with fold-back, and thermal shutdown to avoid switch failure during hot plug-in. Under voltage lockout (UVLO) function is used to ensure the device remain off unless there is a valid input voltage present. A Flag output is available to indicate fault conditions to the local USB controller.

The AP2810 is available in standard packages of SOIC-8 and MSOP-8.

Features

- Low MOSFET on Resistance: 60mΩ @ $V_{IN}=5.0V$
- Compliant to USB Specifications
- Operating Voltage Range: 2.7V to 5.5V
- Low Supply Current: 65μA (Typ)
- Low Shutdown Current: 1.0μA (Max)
- Guarantee 1.0A Continuous Load
- Current Limit: 1.1A (Min), 2.1A (Max)
- Under-voltage Lockout
- Logic Level Enable Pin: Available in Active-high or Active-low Version
- Over-current Protection
- Over Temperature Protection
- Load Short Protection with Fold-back
- No Reverse Current When Power off
- With Output Shutdown Pull-low Resistor for A/C Versions

Applications

- USB Power Management
- USB Bus/Self Powered Hubs
- Hot-plug Power Supplies
- Battery-charger Circuits
- Notebooks, Motherboard PCs

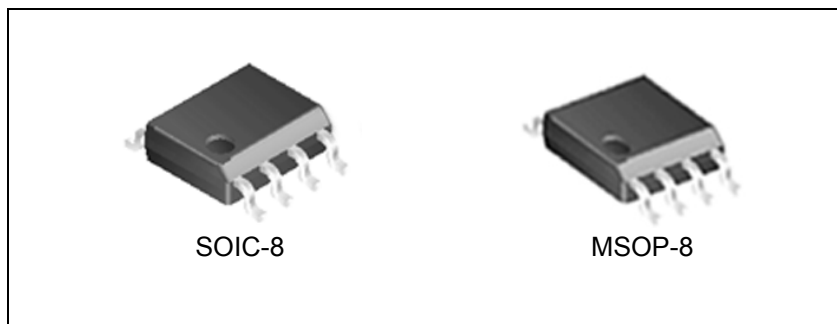


Figure 1. Package Types of AP2810

Pin Configuration

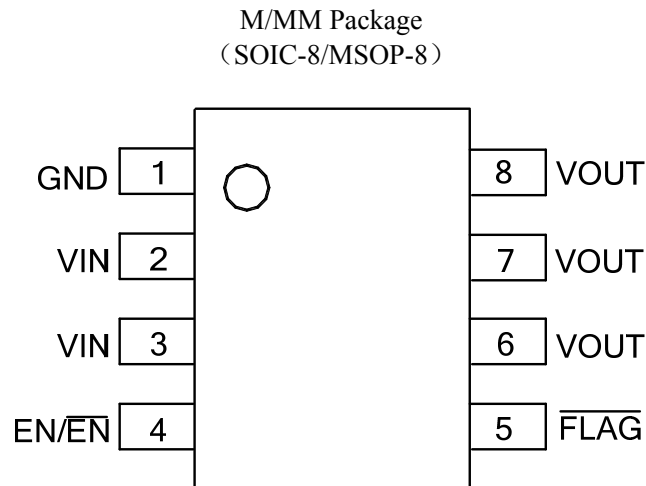


Figure 2. Pin Configuration of AP2810 (Top View)

Pin Descriptions

Pin Number	Pin Name	Function
1	GND	Ground
2, 3	VIN	Supply input pin
4	EN/ $\overline{\text{EN}}$	Chip enable control input, active low or high
5	$\overline{\text{FLAG}}$	Fault flag pin, output with open drain, need a pull-up resistor in application, active low to indicate OCP or OTP
6, 7, 8	VOUT	Switch output voltage

Functional Block Diagram

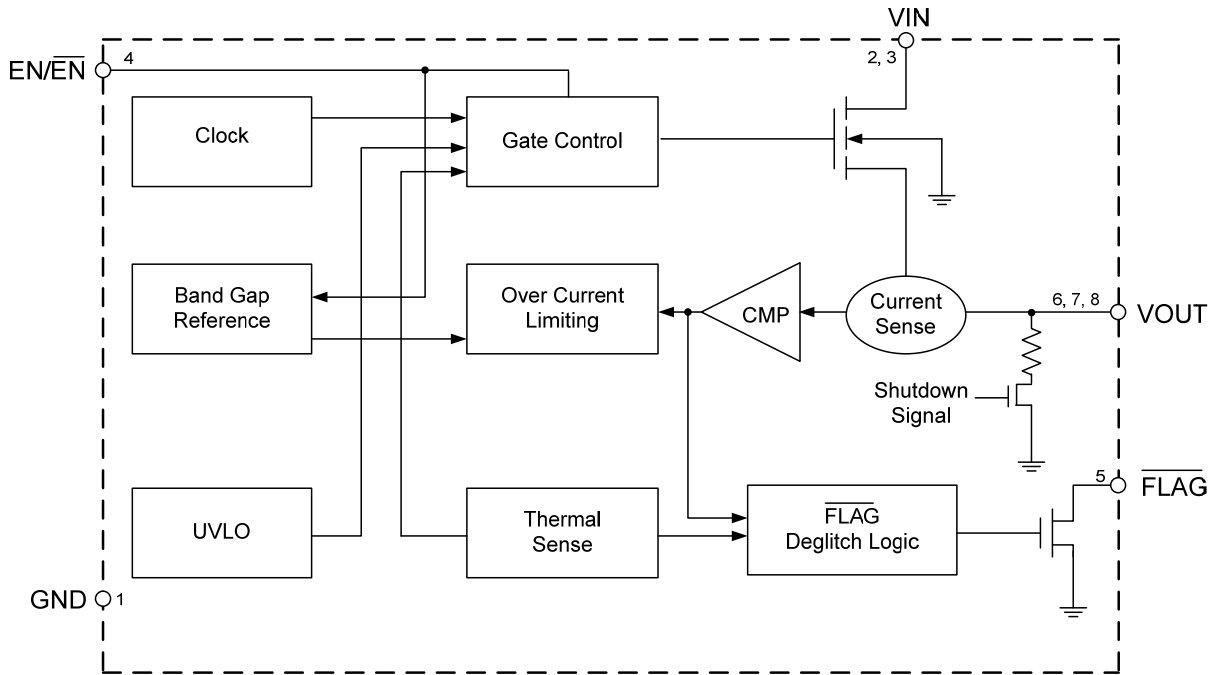
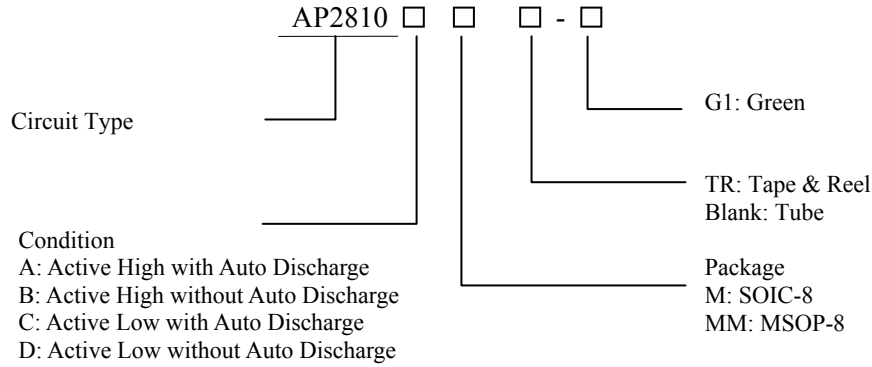


Figure 3. Functional Block Diagram of AP2810

1.0A High-side Power Distribution Switch with Enable and Flag

AP2810

Ordering Information



Product	Package	Condition	Temperature Range	Part Number	Marking ID	Packing Type
				Green	Green	
AP2810A	SOIC-8	Active High with Auto Discharge	-40 to 85°C	AP2810AM-G1	2810AM-G1	Tube
	MSOP-8			AP2810AMTR-G1	2810AM-G1	Tape & Reel
				AP2810AMM-G1	2810AMM-G1	Tube
				AP2810AMMTR-G1	2810AMM-G1	Tape & Reel
AP2810B	SOIC-8	Active High without Auto Discharge	-40 to 85°C	AP2810BM-G1	2810BM-G1	Tube
	MSOP-8			AP2810BMTR-G1	2810BM-G1	Tape & Reel
				AP2810BMM-G1	2810BMM-G1	Tube
				AP2810BMMTR-G1	2810BMM-G1	Tape & Reel
AP2810C	SOIC-8	Active Low with Auto Discharge	-40 to 85°C	AP2810CM-G1	2810CM-G1	Tube
	MSOP-8			AP2810CMTR-G1	2810CM-G1	Tape & Reel
				AP2810CMM-G1	2810CMM-G1	Tube
				AP2810CMMTR-G1	2810CMM-G1	Tape & Reel
AP2810D	SOIC-8	Active Low without Auto Discharge	-40 to 85°C	AP2810DM-G1	2810DM-G1	Tube
	MSOP-8			AP2810DMTR-G1	2810DM-G1	Tape & Reel
				AP2810DMM-G1	2810DMM-G1	Tube
				AP2810DMMTR-G1	2810DMM-G1	Tape & Reel

BCD Semiconductor's Pb-free products, as designated with "G1" suffix in the part number, are RoHS compliant and Green.

**1.0A High-side Power Distribution Switch with Enable and Flag****AP2810****Absolute Maximum Ratings (Note 1)**

Parameter	Symbol	Value	Unit	
Power Supply Voltage	V_{IN}	6.0	V	
Operating Junction Temperature Range	T_J	150	°C	
Storage Temperature Range	T_{STG}	-65 to 150	°C	
Lead Temperature (Soldering, 10 Seconds)	T_{LEAD}	260	°C	
Thermal Resistance Junction to Ambient	θ_{JA}	SOIC-8	135	°C/W
		MSOP-8	150	
ESD (Machine Model)		200	V	
ESD (Human Body Model)		2000	V	

Note 1: Stresses greater than those listed under “Absolute Maximum Ratings” may cause permanent damage to the device. These are stress ratings only, and functional operation of the device at these or any other conditions beyond those indicated under “Recommended Operating Conditions” is not implied. Exposure to “Absolute Maximum Ratings” for extended periods may affect device reliability.

Recommended Operating Conditions

Parameter	Symbol	Min	Max	Unit
Supply Voltage	V_{IN}	2.7	5.5	V
Operating Ambient Temperature Range	T_A	-40	85	°C

**1.0A High-side Power Distribution Switch with Enable and Flag****AP2810****Electrical Characteristics**(V_{IN}=5.0V, C_{IN}=2.2μF, C_{OUT}=1.0μF, Typical T_A=25°C, unless otherwise specified)

Parameter	Symbol	Conditions	Min	Typ	Max	Unit
Input Voltage Range	V _{IN}		2.7		5.5	V
Switch On Resistance	R _{DS(ON)}	V _{IN} =5V, I _{OUT} =1.0A		60	80	mΩ
Current Limit	I _{LIMIT}	V _{OUT} =4.0V	1.1	1.5	2.1	A
Supply Current	I _{SUPPLY}	V _{IN} =5V, No Load		65	85	μA
Fold-back Short Current	I _{SHORT}	V _{OUT} =0		0.6		A
Shutdown Supply Current	I _{SHUTDOWN}	Chip Disable, Shutdown Mode		0.1	1	μA
Enable High Input Threshold	V _{ENH}		1.6		5.5	V
Enable Low Input Threshold	V _{ENL}		0		1.0	V
Enable Pin Input Current	I _{EN}	Force 0V to 5.0V at EN Pin	-1.0		1.0	μA
Under Voltage Lockout Threshold Voltage	V _{UVLO}	V _{IN} Increasing from 0V	2.2	2.5	2.7	V
Under Voltage Hysteresis	V _{UVLOHY}			0.2		V
Reverse Current	I _{REVERSE}	Chip Disable, V _{OUT} >V _{IN}		0.1	1.0	μA
Output Pull Low Resistance after Shutdown	R _{DISCHARGE}	AP2810A, AP2810C only		100	200	Ω
Output Turn-on Time	t _{ON}	From Enable Active to 90% of Output		500		μs
Flag Delay Time	t _{DFLG}	From Fault Condition to Flag Active	5	10	15	ms
Flag Low Voltage	V _{FLG}	I _{SINK} =5mA		35	70	mV
Flag Leakage	I _{LEAKAGE}	Flag Disable, Force 5.0V			1.0	μA
Thermal Shutdown Temperature	T _{OTSD}			150		°C
Thermal Shutdown Hysteresis	T _{HYOTSD}			30		°C

Typical Performance Characteristics

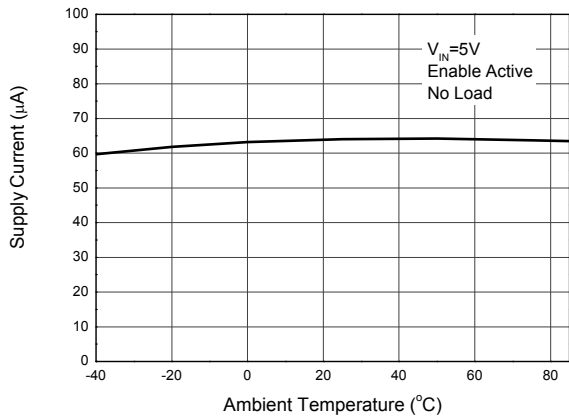


Figure 4. Supply Current vs. Ambient Temperature

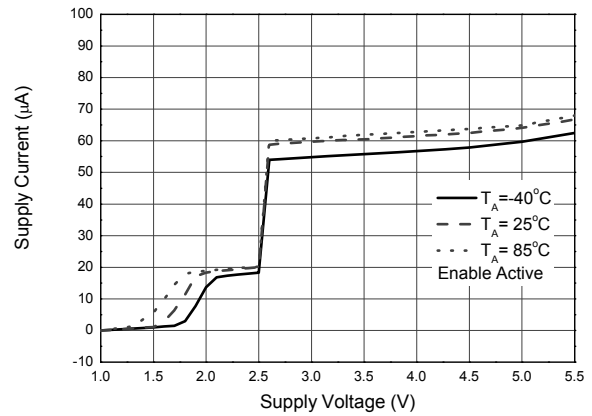


Figure 5. Supply Current vs. Supply Voltage

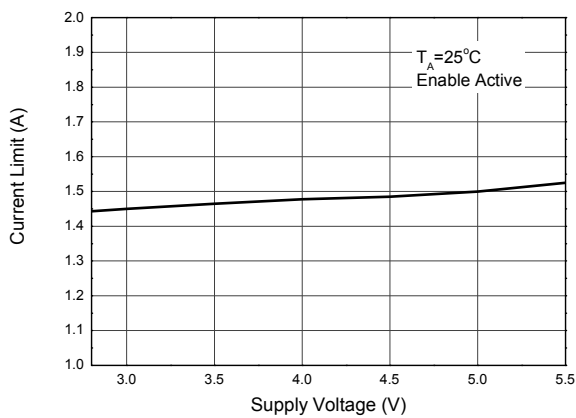


Figure 6. Current Limit vs. Supply Voltage

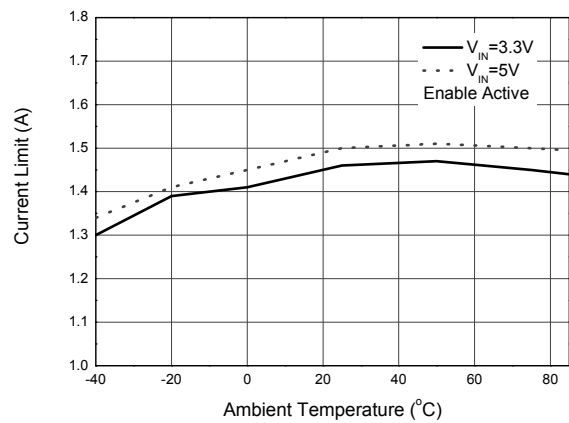


Figure 7. Current Limit vs. Ambient Temperature

Typical Performance Characteristics (Continued)

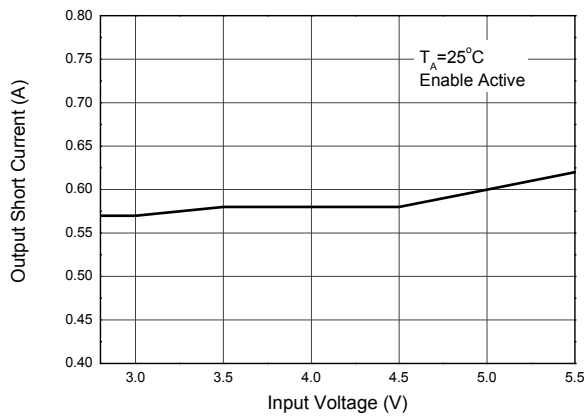


Figure 8. Output Short Current vs. Input Voltage

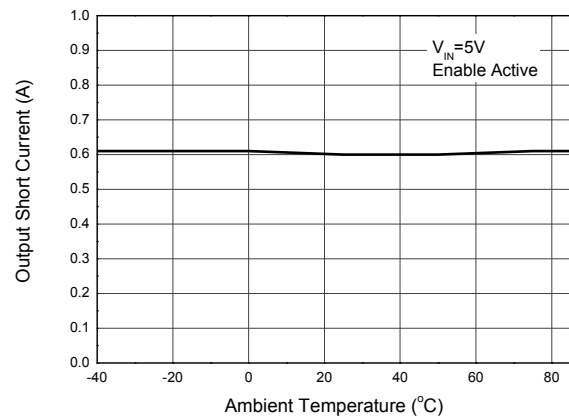


Figure 9. Output Short Current vs. Ambient Temperature

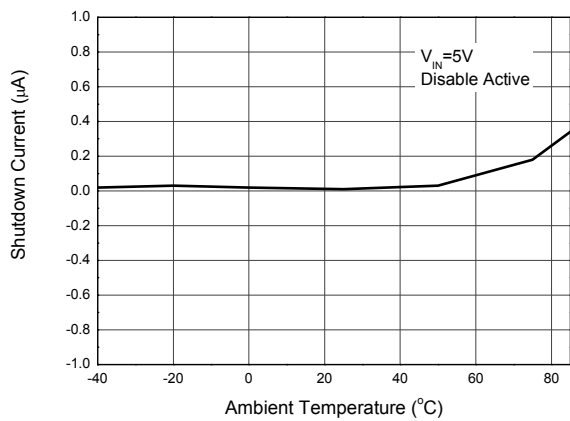


Figure 10. Shutdown Current vs. Ambient Temperature

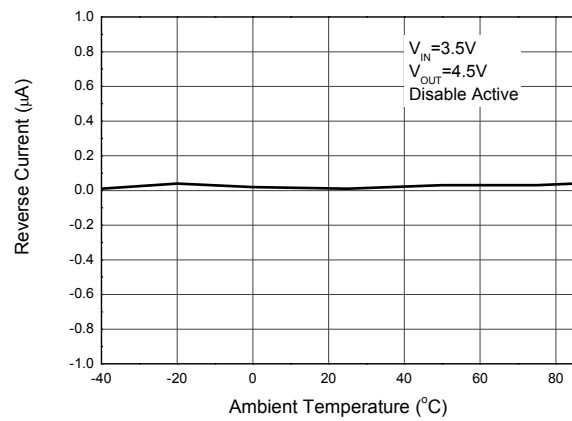


Figure 11. Reverse Current vs. Ambient Temperature

Typical Performance Characteristics (Continued)

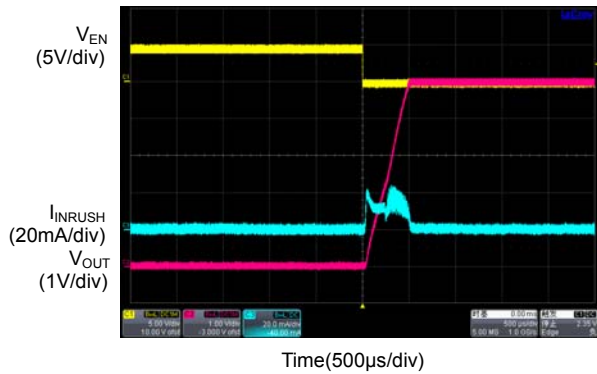


Figure 12. Output Turn ON and Rise Time
($C_{IN}=1.0\mu F$, $C_{OUT}=1.0\mu F$, No Load)

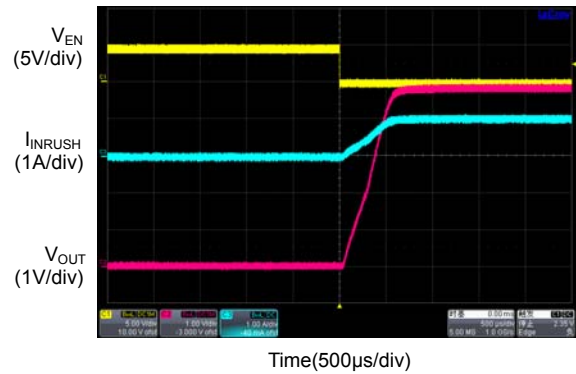


Figure 13. Output Turn ON and Rise Time
($C_{IN}=1.0\mu F$, $C_{OUT}=1.0\mu F$, $R_L=5.0\Omega$)

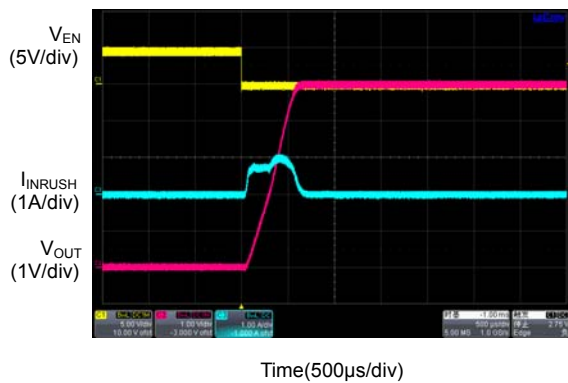


Figure 14. Output Turn ON and Rise Time
($C_{IN}=1.0\mu F$, $C_{OUT}=100\mu F$, No Load)

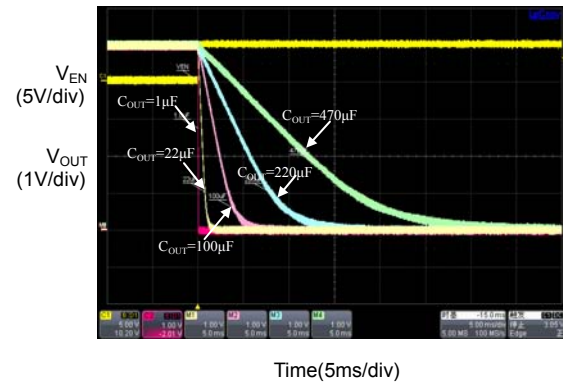


Figure 15. Output Turn OFF and Falling Time
($V_{IN}=5V$, $C_{IN}=1.0\mu F$, No Load)

Typical Performance Characteristics (Continued)

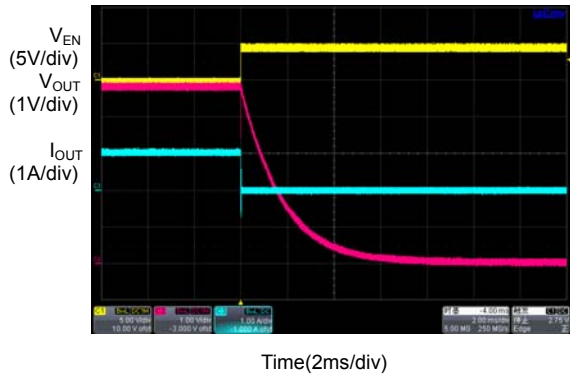


Figure 16. Output Turn OFF and Falling Time
($V_{IN}=5V$, $C_{IN}=1.0\mu F$, $C_{OUT}=470\mu F$, $R_L=5.0\Omega$)

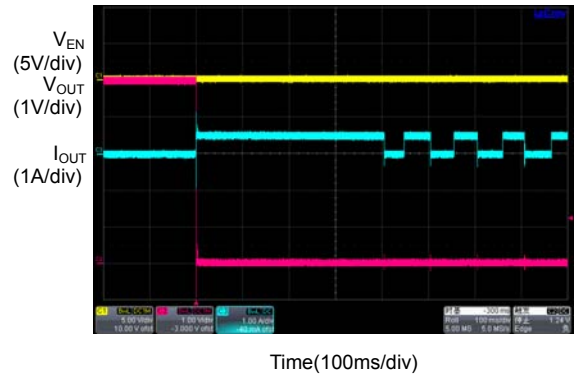


Figure 17. Output Short to GND Current
($V_{IN}=5V$, $C_{IN}=1.0\mu F$)

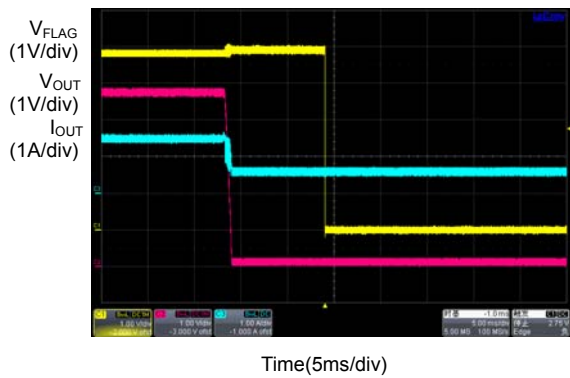


Figure 18. FLAG Response During Over Current
($V_{IN}=5V$, $C_{IN}=1.0\mu F$, $C_{OUT}=470\mu F$)

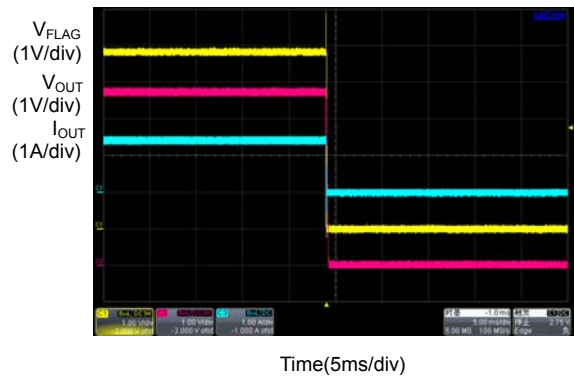
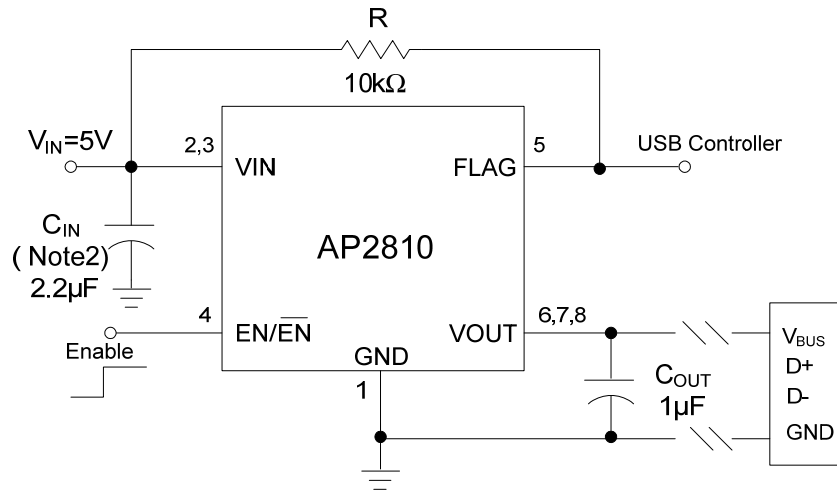


Figure 19. FLAG Response During Over Temperature
($V_{IN}=5V$, $C_{IN}=1.0\mu F$, $C_{OUT}=220\mu F$, $R_L=5.0\Omega$)

Typical Application



Note 2: 2.2µF input capacitor is enough in most application cases.

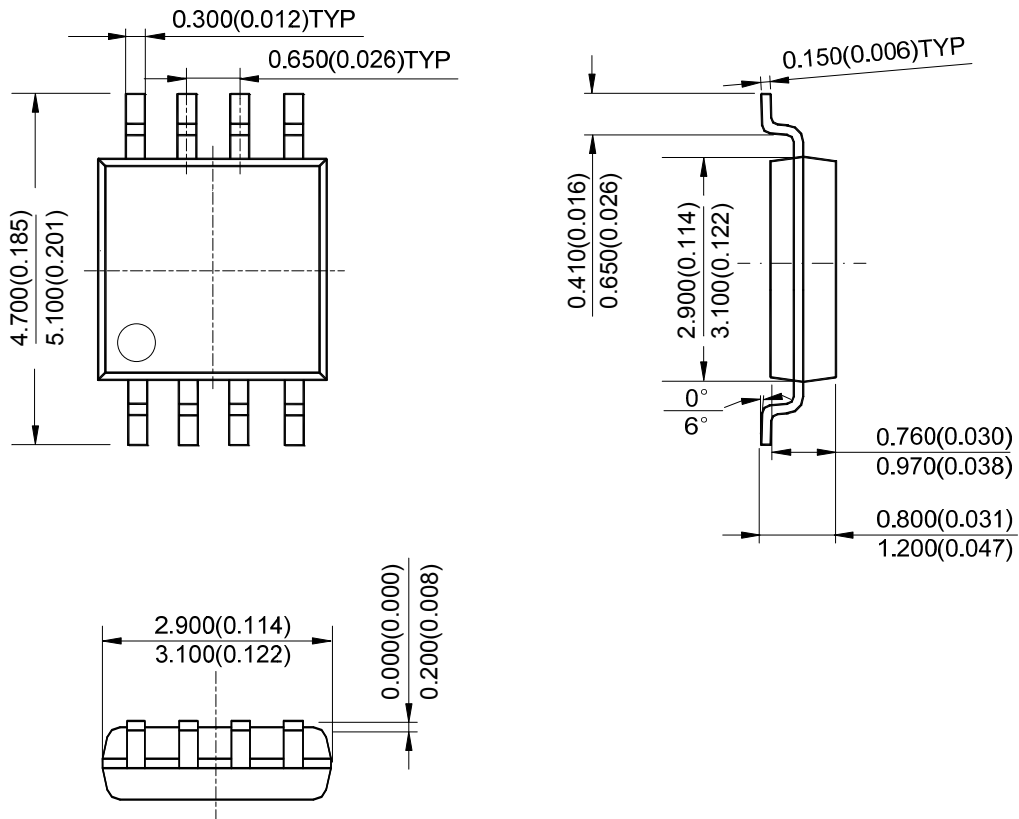
If the VOUT is short to ground frequently during usage, large size input capacitor is necessary, recommend 22µF.

Figure 20. Typical Application of AP2810

Mechanical Dimensions (Continued)

MSOP-8

Unit: mm(inch)



Note: Eject hole, oriented hole and mold mark is optional.



BCD Semiconductor Manufacturing Limited

<http://www.bcdsemi.com>

IMPORTANT NOTICE

BCD Semiconductor Manufacturing Limited reserves the right to make changes without further notice to any products or specifications herein. BCD Semiconductor Manufacturing Limited does not assume any responsibility for use of any its products for any particular purpose, nor does BCD Semiconductor Manufacturing Limited assume any liability arising out of the application or use of any its products or circuits. BCD Semiconductor Manufacturing Limited does not convey any license under its patent rights or other rights nor the rights of others.

MAIN SITE

- Headquarters

BCD Semiconductor Manufacturing Limited

No. 1600, Zi Xing Road, Shanghai Zizhu Science-based Industrial Park, 200241, China
Tel: +86-21-24162266, Fax: +86-21-24162277

- Wafer Fab

Shanghai SIM-BCD Semiconductor Manufacturing Co., Ltd.

800 Yi Shan Road, Shanghai 200233, China
Tel: +86-21-6485 1491, Fax: +86-21-5450 0008

REGIONAL SALES OFFICE

Shenzhen Office

Shanghai SIM-BCD Semiconductor Manufacturing Co., Ltd., Shenzhen Office

Unit A Room 1203, Skyworth Bldg., Gaoxin Ave. 1.S., Nanshan District, Shenzhen, China
Tel: +86-755-8826 7951
Fax: +86-755-8826 7865

Taiwan Office

BCD Semiconductor (Taiwan) Company Limited

4F, 298-1, Rui Guang Road, Nei-Hu District, Taipei, Taiwan
Tel: +886-2-2656 2808
Fax: +886-2-2656 2806

USA Office

BCD Semiconductor Corp.

30920 Huntwood Ave. Hayward, CA 94544, USA
Tel : +1-510-324-2988
Fax: +1-510-324-2788