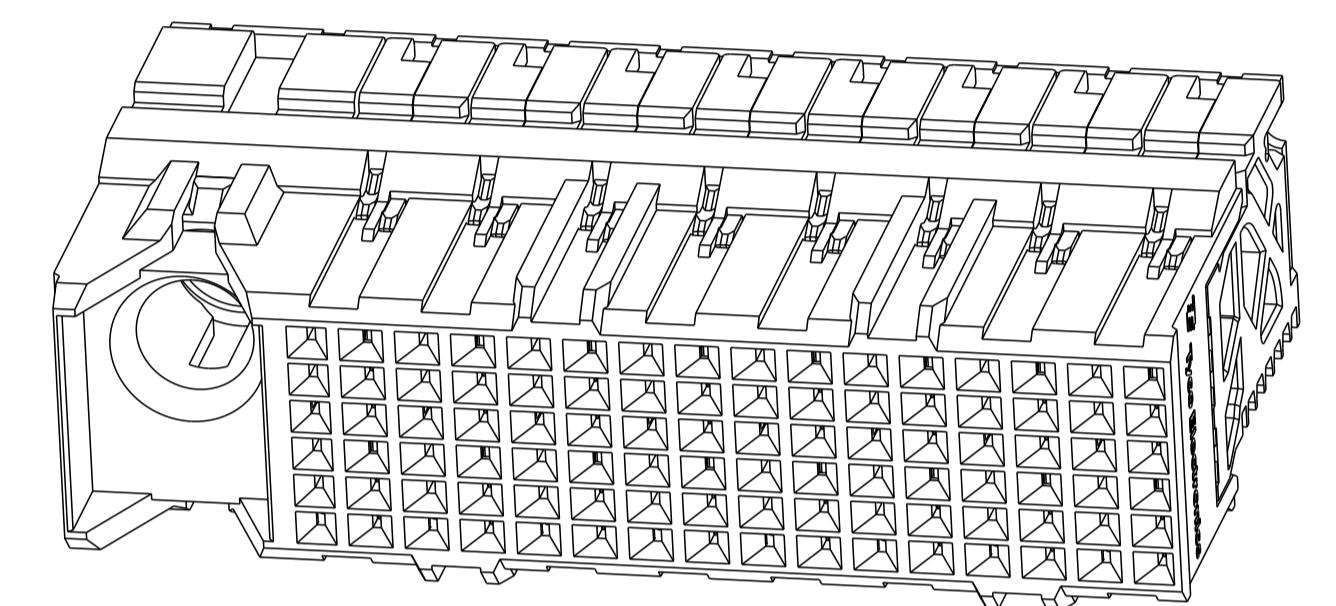
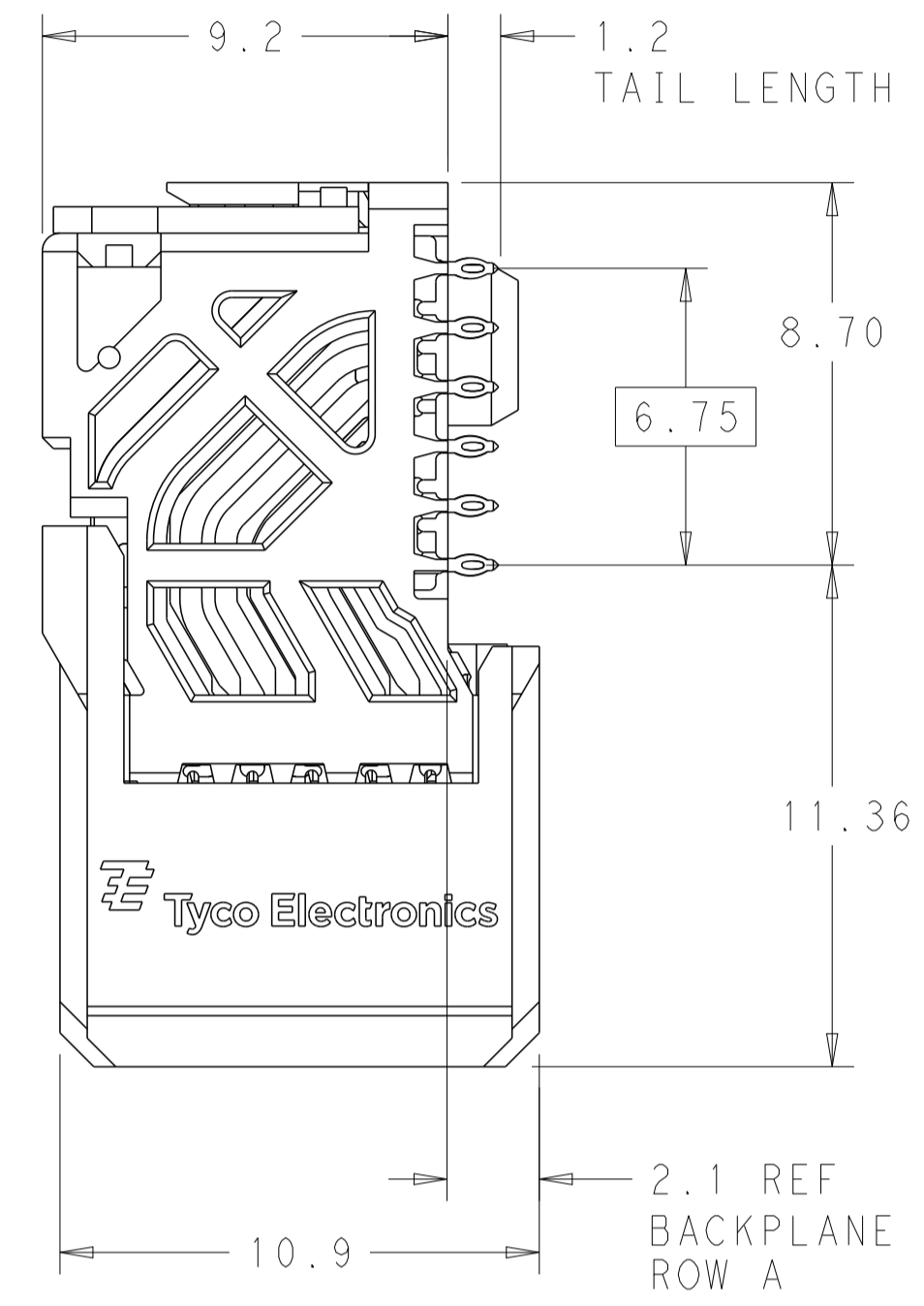
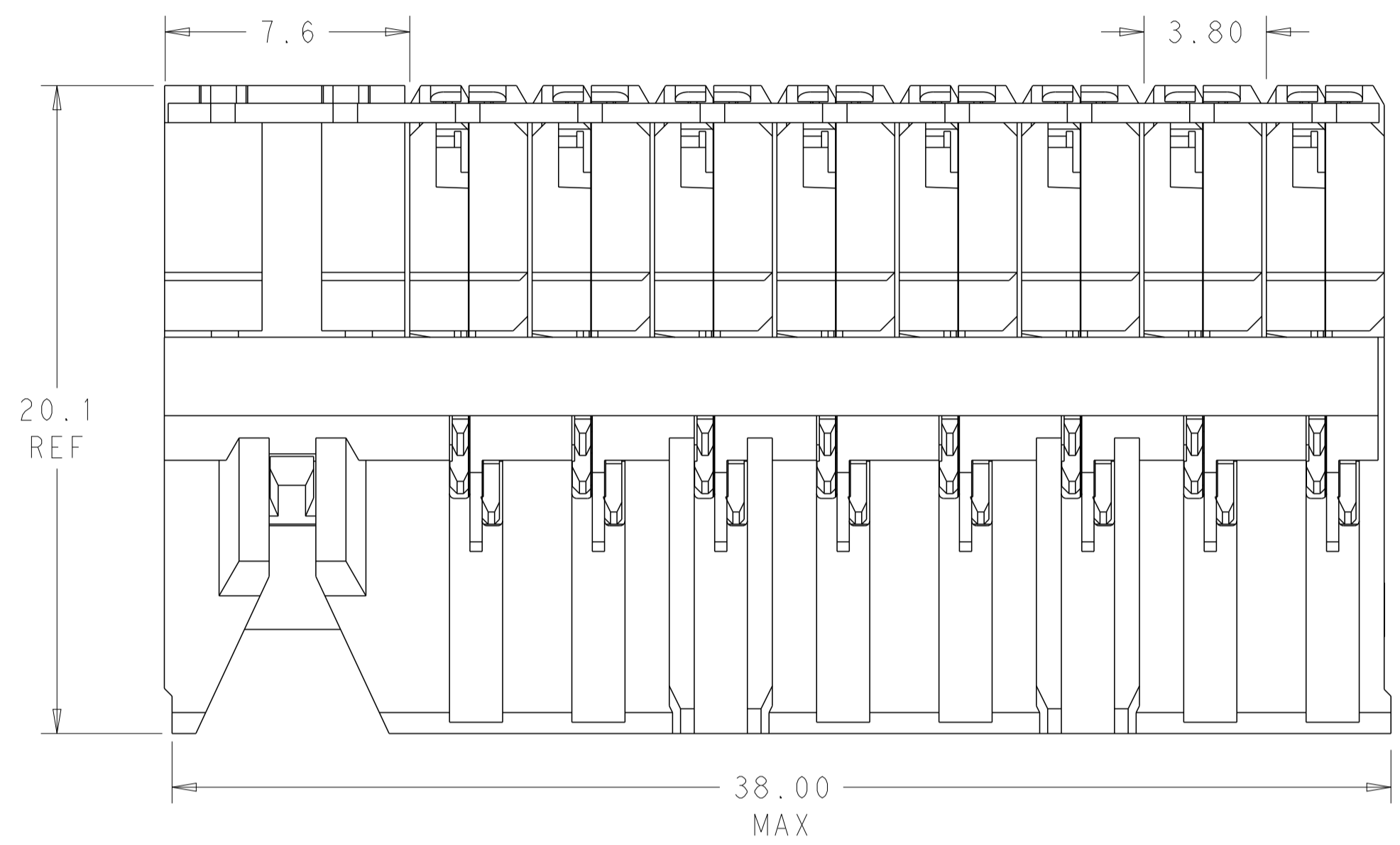


REVISIONS				
P.	LTN.	DESCRIPTION	DATE	DMN. APVD.
B3		REVISED PER ECO-16-016735	21NOV2016	A, S, Y

MATERIAL:
 HOUSING: LCP, GLASS FILLED, UL94V-0.
 TERMINALS: HIGH PERFORMANCE COPPER ALLOY.

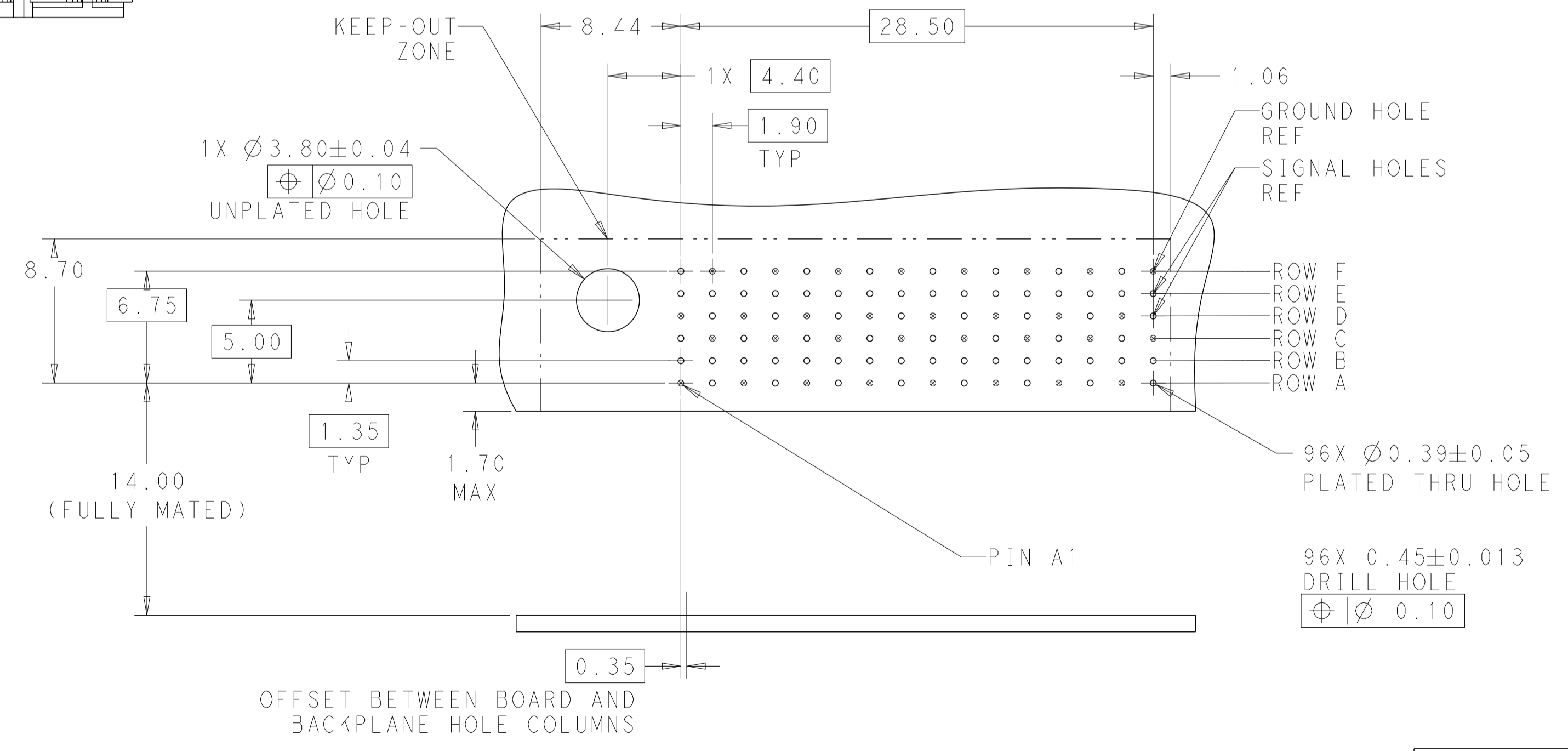
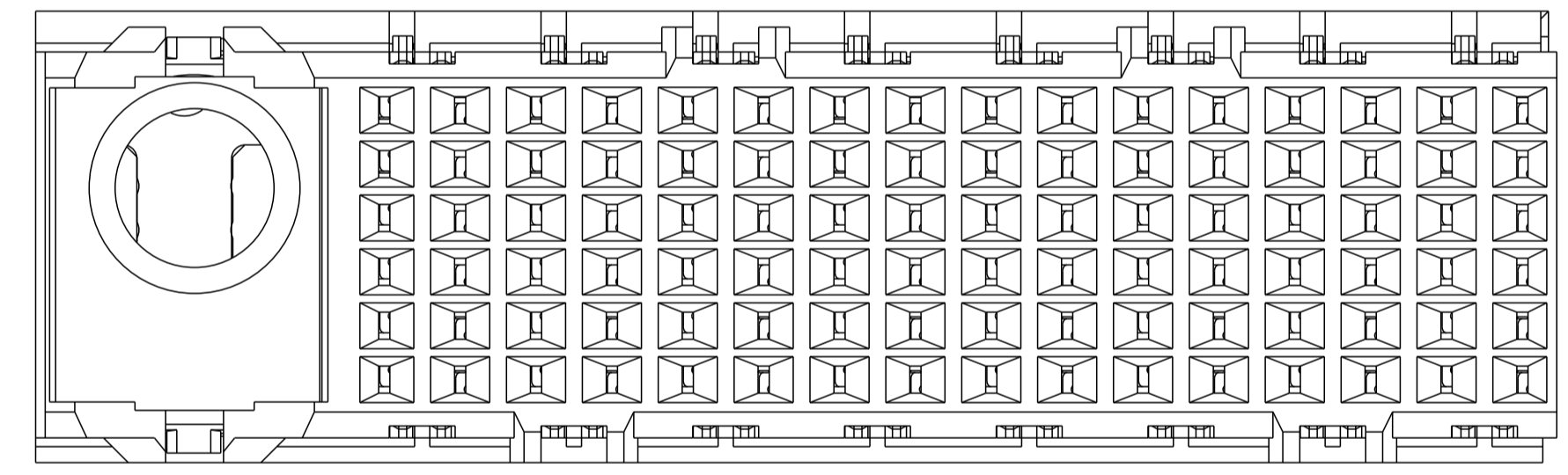
FINISH:
 30μ" SELECTIVE GOLD IN CONTACT AREA. SELECTIVE TIN ON PCB TAILS, NICKEL OVERALL.

3. CONNECTORS SUPPLIED WITH MOUNTING SCREW.



SCALE 4:1

REFER TO WWW.TE.COM FOR PRODUCT AVAILABILITY



RECOMMENDED PCB LAYOUT
MIN BOARD THICKNESS 1.6

NONE		2057409-1
KEY POSITION	FINISH	PART NUMBER

THIS DRAWING IS A CONTROLLED DOCUMENT.		DMN. Z. MILLER 19AUG2010	TE Connectivity NAME: IMPACT, STD, R/A, 2 PAIR, 16 COLUMN, DAUGHTERCARD, LEFT GUIDED SIGNAL MODULE, 0.39 EYELET PRODUCT SPEC: - APPLICATION SPEC: - SIZE: - CAGE CODE: - DRAWING NO: A100779 ©=2057409 WEIGHT: - Customer Drawing
DIMENSIONS: mm		CHK. D. DIXON 19AUG2010	
TOLERANCES UNLESS OTHERWISE SPECIFIED: 0 PLC ± 1 PLC ±0.2 2 PLC ±0.10 3 PLC ± 4 PLC ± ANGLES ±		APVD. D. DIXON 19AUG2010	
MATERIAL: SEE TABLE		FINISH: -	
SCALE 6:1		SHEET 1 OF 1	REV B3