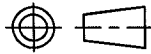
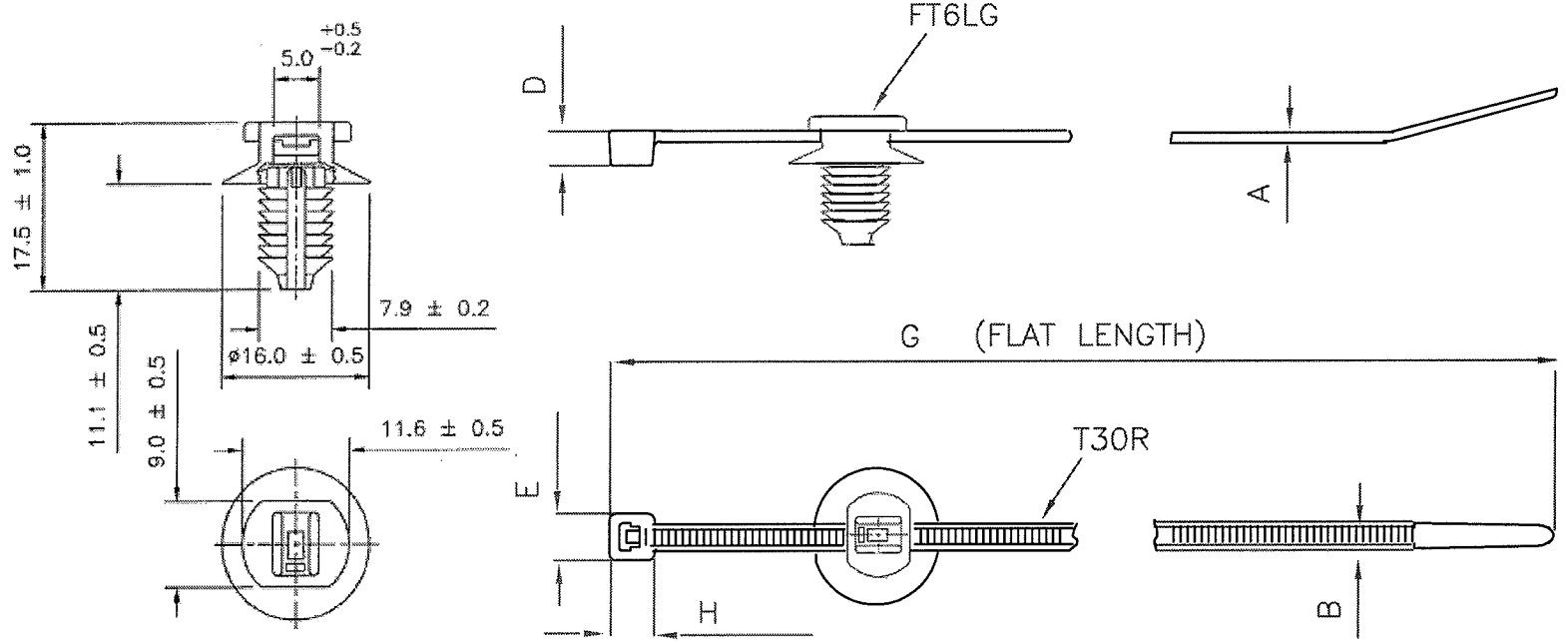


ACAD



Revision level		Revision Record	Changed	Date	Approved	Date
Part	Drawing					



Hole size (mm)
6.5 to 7.0 \pm 0.1

Panel thickness (mm)
0.75 to 6.0

Bundle (mm)
1.5 to 35

Tensile strength
135N

A	B	D	E	G	H
1.1 \pm 0.2	3.5 \pm 0.2	4.5 \pm 0.5	6.0 \pm 0.5	150.0 \pm 5.0	5.5 \pm 0.5

Material P.A. 66

Dimension without tolerances details to:
DIN 16901

Tolerances

PERFORMANCE SPECIFICATION

The copyright of this drawing is reserved by HELLERMANN TYTON. It is issued on condition that it is not reproduced, copied or disclosed to a third party, either wholly or in part, without the consent of HELLERMANN TYTON.

Drawn MANDY ONG 27/04/07
Approved. EDWARD TAN 27/04/07

HellermannTyton

545, Yishun Industrial Park A
Yishun Avenue 7
Singapore 768741
Tel: (+65) 6852 8585
Fax: (+65) 6756 6798

Scale not to scale

Title

T30RFT6LG

Drawing-No

SG07019-00

Uncontrolled Document

Format
A4

Sheet 1 of 1