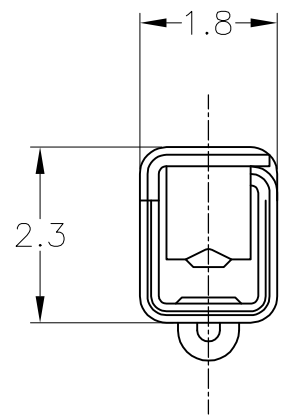
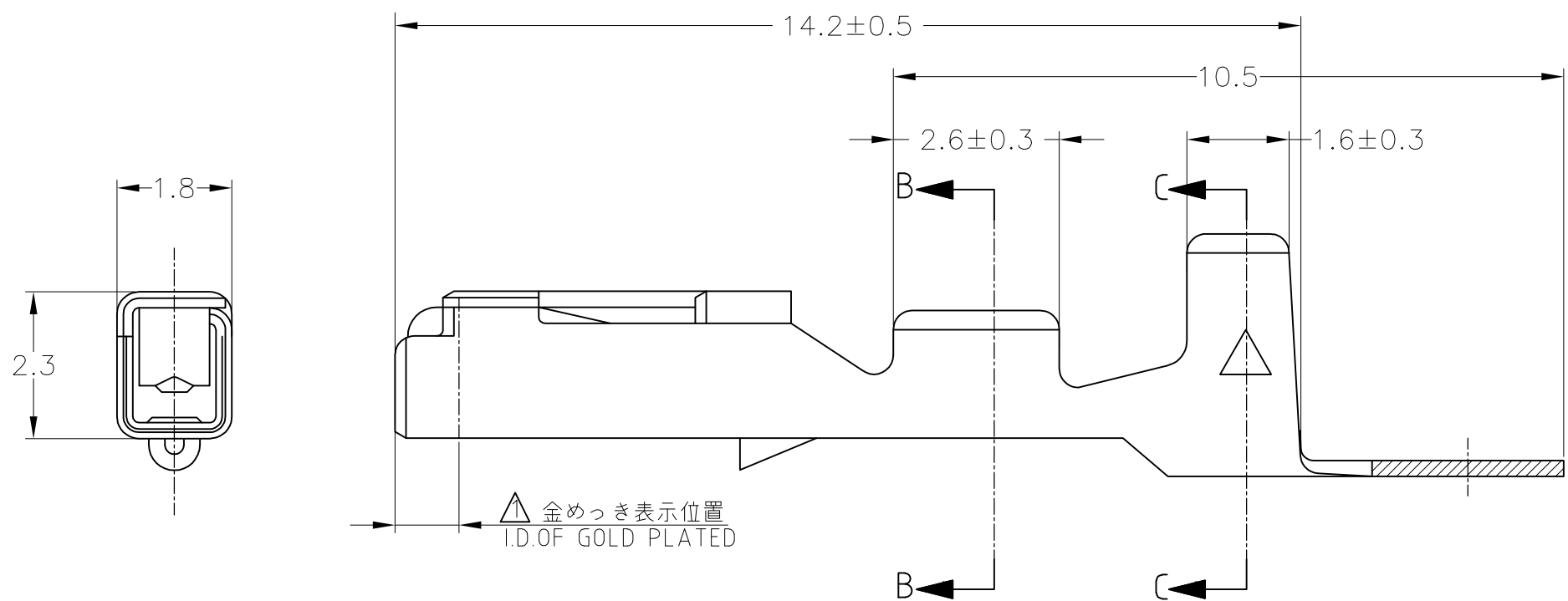
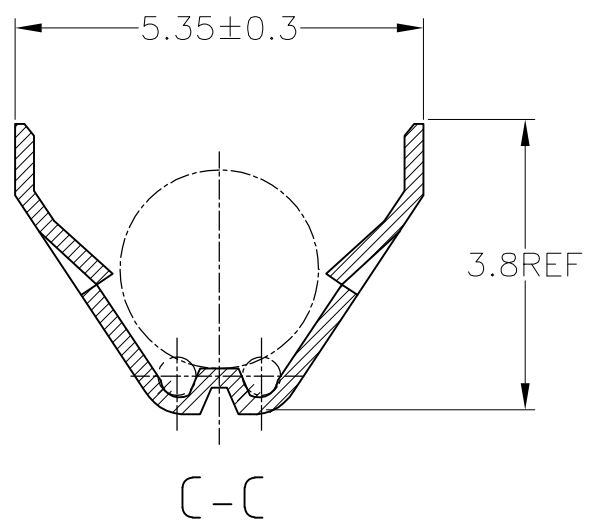
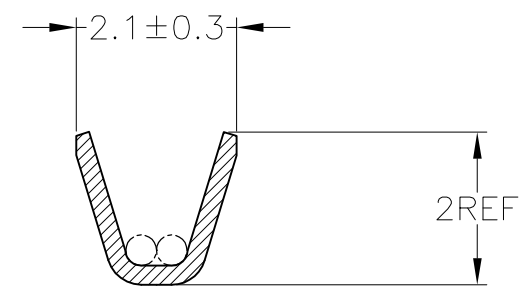
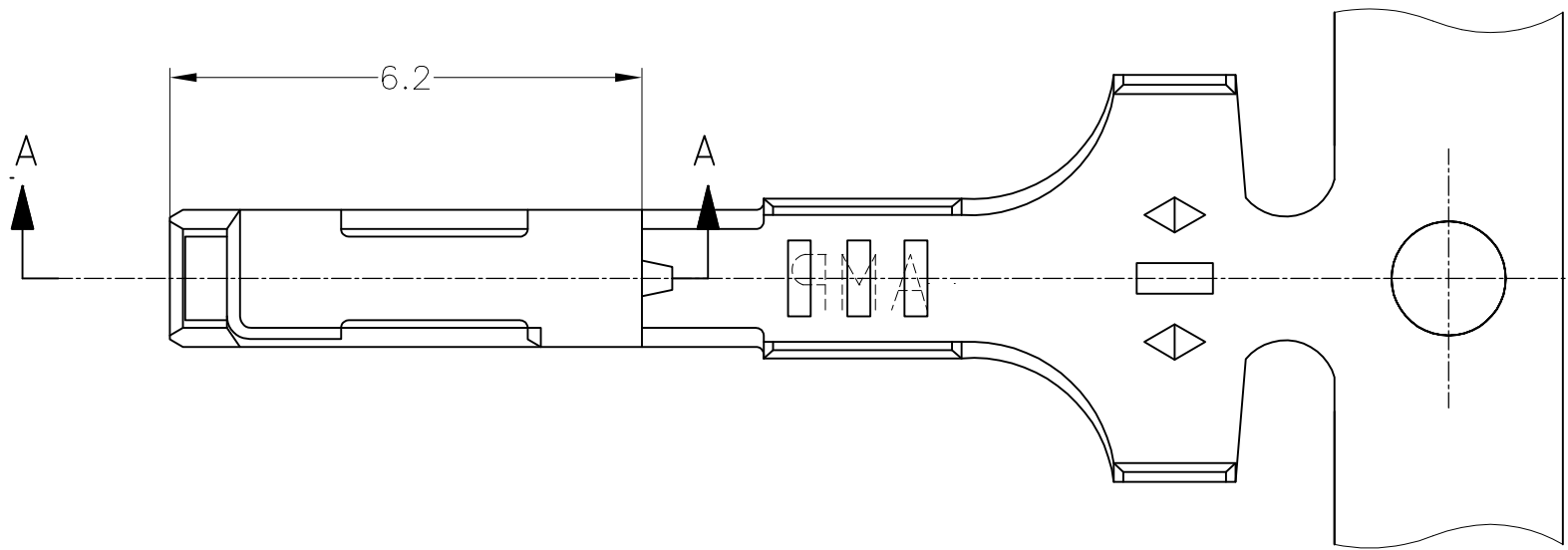


THIS DRAWING IS UNPUBLISHED. RELEASED FOR PUBLICATION  
 © COPYRIGHT - By - ALL RIGHTS RESERVED.

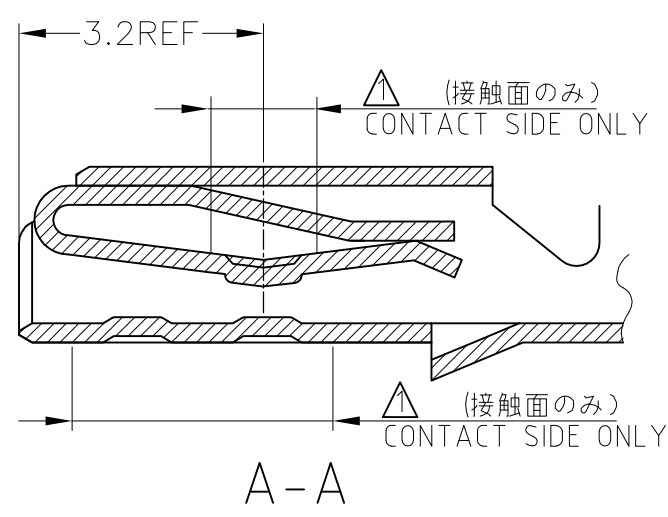
LOC	DIST	REVISIONS					
—	—	P	LTR	DESCRIPTION	DATE	DWN	APVD
		P		REVISED PER ECO-11-005140	28MAR11	RK	HMR



△ SELECTIVE GOLD  
 2. APPLICATION SPEC NO. 114-5111

△ 部分金めっき  
 2. 取付適用規格番号 114-5111

175061-2	SELECTIVE GOLD 部分金めっき	173716-2
175061-1	PRE-TINNED 錫めっき済	173716-1
LOOSE PIECE NO. バラ状端子型番	FINISH 仕上げ	PART NUMBER 製品型番
WIRE RANGE (抱合電線断面積) 0.3~0.5mm <sup>2</sup> (AWG#22~20)		INSULATION DIA. (被覆外径) 1.8~2 mmφ



THIS DRAWING IS A CONTROLLED DOCUMENT.

DIMENSIONS: 単位: 耗 mm	TOLERANCES UNLESS OTHERWISE SPECIFIED: 一般公差
0 PLC ± -	1 PLC ± -
2 PLC ± -	3 PLC ± -
4 PLC ± -	ANGLES ± -
MATERIAL 材料	FINISH 仕上
THICKNESS KLF-5 板厚0.25	SEE TABLE 表参照

TOLERANCES UNLESS OTHERWISE SPECIFIED:  
一般公差

10 ≥	± 0.2
30 ≥	> 10 : ± 0.25
100 ≥	> 30 : ± 0.3
ANGLE	± 3°

STE TE Connectivity

040 SERIES RECEPTACLE CONTACT

DWN M.SUGAWARA	29NOV06	NAME 名称	RESTRICTED TO —				
CHK K.BETSUI	29NOV06						
APVD K.BETSUI	29NOV06						
PRODUCT SPEC 製品規格	—						
APPLICATION SPEC 取付適用規格	—	SIZE A3	CAGE CODE 00779	DRAWING NO 番号 C-173716	SCALE 尺度 10:1	SHEET 1 OF 1	REV P

CUSTOMER DRAWING